

10	PS_DDR3_D0	PS_DDR3_D0	J26	PS_DDR_DQ0_502
10	PS_DDR3_D1	PS_DDR3_D1	F25	PS_DDR_DQ1_502
10	PS_DDR3_D2	PS_DDR3_D2	J25	PS_DDR_DQ2_502
10	PS_DDR3_D3	PS_DDR3_D3	G26	PS_DDR_DQ3_502
10	PS_DDR3_D4	PS_DDR3_D4	H26	PS_DDR_DQ4_502
10	PS_DDR3_D5	PS_DDR3_D5	H23	PS_DDR_DQ5_502
10	PS_DDR3_D6	PS_DDR3_D6	J24	PS_DDR_DQ6_502
10	PS_DDR3_D7	PS_DDR3_D7	J23	PS_DDR_DQ7_502
10	PS_DDR3_D8	PS_DDR3_D8	K26	PS_DDR_DQ8_502
10	PS_DDR3_D9	PS_DDR3_D9	L23	PS_DDR_DQ9_502
10	PS_DDR3_D10	PS_DDR3_D10	M26	PS_DDR_DQ10_502
10	PS_DDR3_D11	PS_DDR3_D11	K23	PS_DDR_DQ11_502
10	PS_DDR3_D12	PS_DDR3_D12	M25	PS_DDR_DQ12_502
10	PS_DDR3_D13	PS_DDR3_D13	N24	PS_DDR_DQ13_502
10	PS_DDR3_D14	PS_DDR3_D14	M24	PS_DDR_DQ14_502
10	PS_DDR3_D15	PS_DDR3_D15	N23	PS_DDR_DQ15_502
10	PS_DDR3_D16	PS_DDR3_D16	R26	PS_DDR_DQ16_502
10	PS_DDR3_D17	PS_DDR3_D17	P24	PS_DDR_DQ17_502
10	PS_DDR3_D18	PS_DDR3_D18	N26	PS_DDR_DQ18_502
10	PS_DDR3_D19	PS_DDR3_D19	P23	PS_DDR_DQ19_502
10	PS_DDR3_D20	PS_DDR3_D20	T24	PS_DDR_DQ20_502
10	PS_DDR3_D21	PS_DDR3_D21	T25	PS_DDR_DQ21_502
10	PS_DDR3_D22	PS_DDR3_D22	T23	PS_DDR_DQ22_502
10	PS_DDR3_D23	PS_DDR3_D23	R23	PS_DDR_DQ23_502
10	PS_DDR3_D24	PS_DDR3_D24	V24	PS_DDR_DQ24_502
10	PS_DDR3_D25	PS_DDR3_D25	U26	PS_DDR_DQ25_502
10	PS_DDR3_D26	PS_DDR3_D26	U24	PS_DDR_DQ26_502
10	PS_DDR3_D27	PS_DDR3_D27	U25	PS_DDR_DQ27_502
10	PS_DDR3_D28	PS_DDR3_D28	W26	PS_DDR_DQ28_502
10	PS_DDR3_D29	PS_DDR3_D29	Y25	PS_DDR_DQ29_502
10	PS_DDR3_D30	PS_DDR3_D30	Y26	PS_DDR_DQ30_502
10	PS_DDR3_D31	PS_DDR3_D31	W23	PS_DDR_DQ31_502
10S	DDR3_DQS0_P	PS_DDR3_DQS0_P	H24	PS_DDR_DQS_P0_502
10S	DDR3_DQS0_N	PS_DDR3_DQS0_N	G25	PS_DDR_DQS_N0_502
10S	DDR3_DQS1_P	PS_DDR3_DQS1_P	L24	PS_DDR_DQS_P1_502
10S	DDR3_DQS1_N	PS_DDR3_DQS1_N	L25	PS_DDR_DQS_N1_502
10S	DDR3_DQS2_P	PS_DDR3_DQS2_P	P25	PS_DDR_DQS_P2_502
10S	DDR3_DQS2_N	PS_DDR3_DQS2_N	R25	PS_DDR_DQS_N2_502
10S	DDR3_DQS3_P	PS_DDR3_DQS3_P	W24	PS_DDR_DQS_P3_502
10S	DDR3_DQS3_N	PS_DDR3_DQS3_N	W25	PS_DDR_DQS_N3_502

PS_DDR_A0_502	K22	PS_DDR3_A0	PS_DDR3_A0	10
PS_DDR_A1_502	K20	PS_DDR3_A1	PS_DDR3_A1	10
PS_DDR_A2_502	N21	PS_DDR3_A2	PS_DDR3_A2	10
PS_DDR_A3_502	L22	PS_DDR3_A3	PS_DDR3_A3	10
PS_DDR_A4_502	M20	PS_DDR3_A4	PS_DDR3_A4	10
PS_DDR_A5_502	N22	PS_DDR3_A5	PS_DDR3_A5	10
PS_DDR_A6_502	L20	PS_DDR3_A6	PS_DDR3_A6	10
PS_DDR_A7_502	J21	PS_DDR3_A7	PS_DDR3_A7	10
PS_DDR_A8_502	T20	PS_DDR3_A8	PS_DDR3_A8	10
PS_DDR_A9_502	U20	PS_DDR3_A9	PS_DDR3_A9	10
PS_DDR_A10_502	M22	PS_DDR3_A10	PS_DDR3_A10	10
PS_DDR_A11_502	H21	PS_DDR3_A11	PS_DDR3_A11	10
PS_DDR_A12_502	P20	PS_DDR3_A12	PS_DDR3_A12	10
PS_DDR_A13_502	J20	PS_DDR3_A13	PS_DDR3_A13	10
PS_DDR_A14_502	R20	PS_DDR3_A14	PS_DDR3_A14	10
PS_DDR_BA0_502	U22	PS_DDR3_BA0	PS_DDR3_BA0	10
PS_DDR_BA1_502	T22	PS_DDR3_BA1	PS_DDR3_BA1	10
PS_DDR_BA2_502	R22	PS_DDR3_BA2	PS_DDR3_BA2	10
PS_DDR_DM0_502	G24	PS_DDR3_DM0	PS_DDR3_DM0	10
PS_DDR_DM1_502	K25	PS_DDR3_DM1	PS_DDR3_DM1	10
PS_DDR_DM2_502	P26	PS_DDR3_DM2	PS_DDR3_DM2	10
PS_DDR_DM3_502	V26	PS_DDR3_DM3	PS_DDR3_DM3	10
PS_DDR_CKP_502	R21	PS_DDR3_CLK0_P	PS_DDR3_CLK0_P10	10
PS_DDR_CKN_502	P21	PS_DDR3_CLK0_N	PS_DDR3_CLK0_N10	10
PS_DDR_VRP_502	W21	PS_DDR3_VRP	R36	80.6 1%
PS_DDR_VRN_502	V21	PS_DDR3_VRN	R3	80.6 1%
PS_DDR_ODT_502	Y22	PS_DDR3_ODT	PS_DDR3_ODT	10
PS_DDR_CS_B_502	Y21	PS_DDR3_S0	PS_DDR3_S0	10
PS_DDR_CKE_502	U21	PS_DDR3_CKE	PS_DDR3_CKE	10
PS_DDR_WE_B_502	V22	PS_DDR3_WE	PS_DDR3_WE	10
PS_DDR_CAS_B_502	Y23	PS_DDR3_CAS	PS_DDR3_CAS	10
PS_DDR_RAS_B_502	V23	PS_DDR3_RAS	PS_DDR3_RAS	10
PS_DDR_DRST_B_502	H22	PS_DDR3_RESET	PS_DDR3_RESET	10

xc7z035ffg676-2\_0

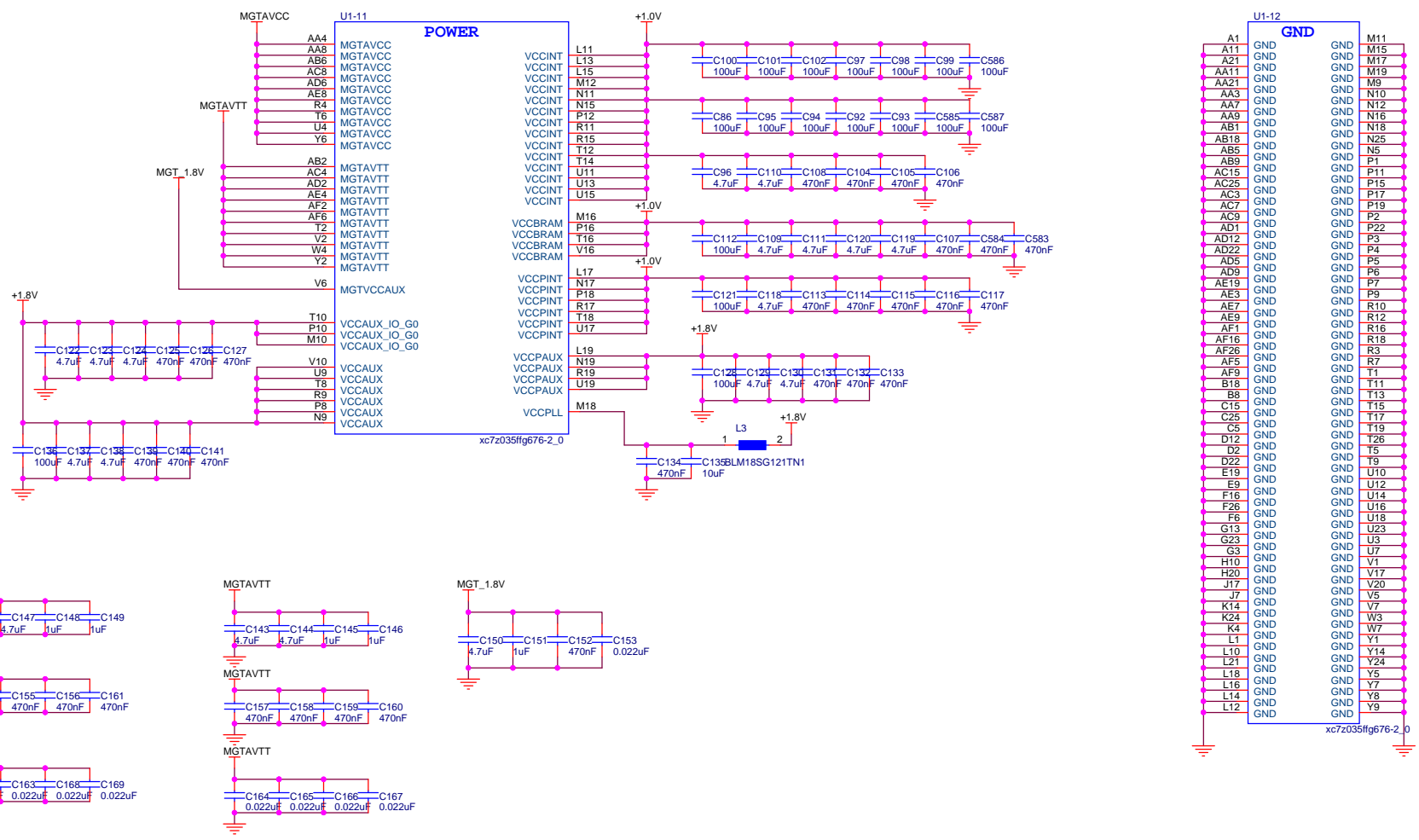
**ALINX** www.alinx.com

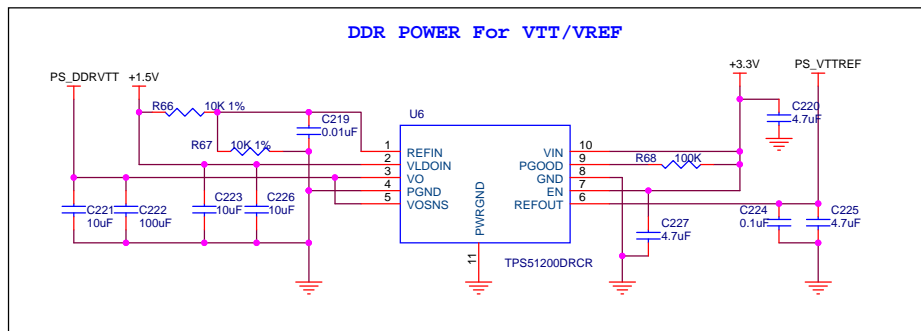
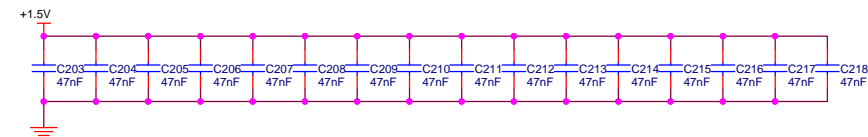
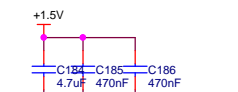
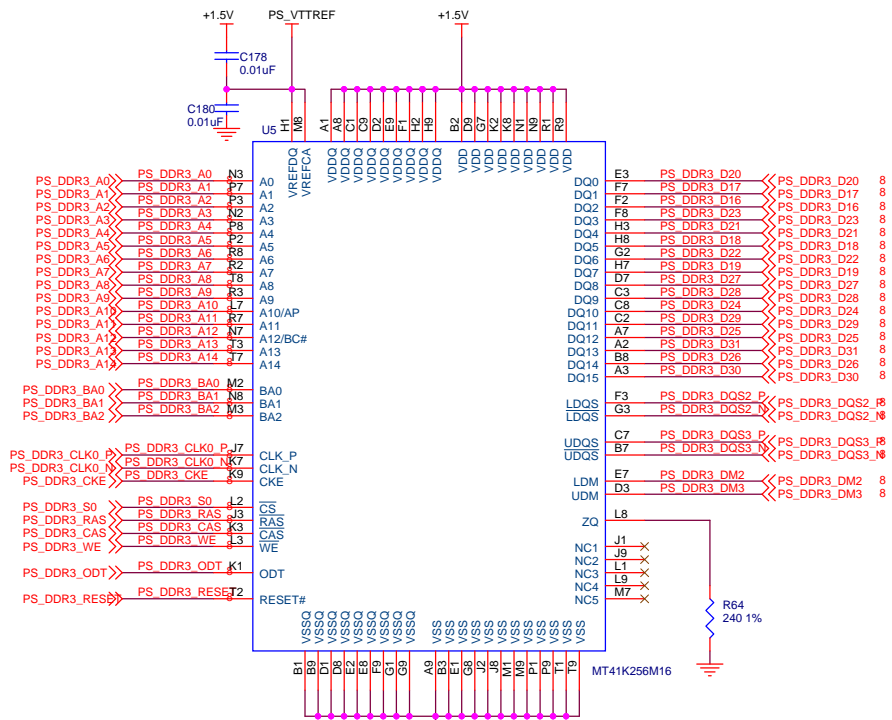
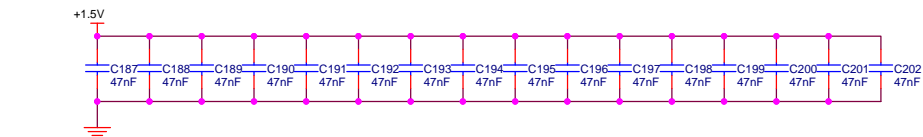
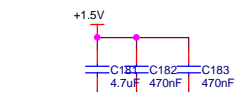
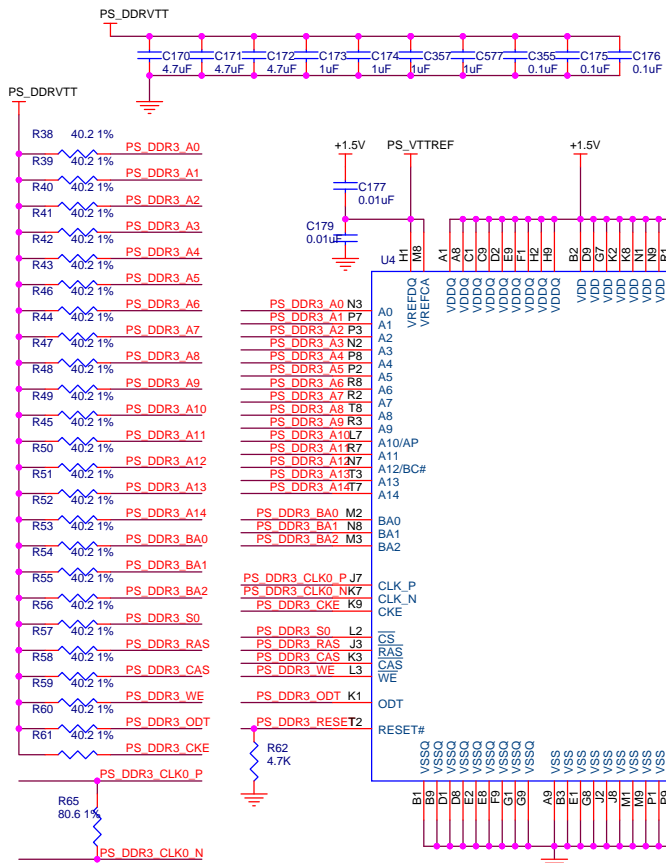
Title: **PAGE08 Z7 Bank502**

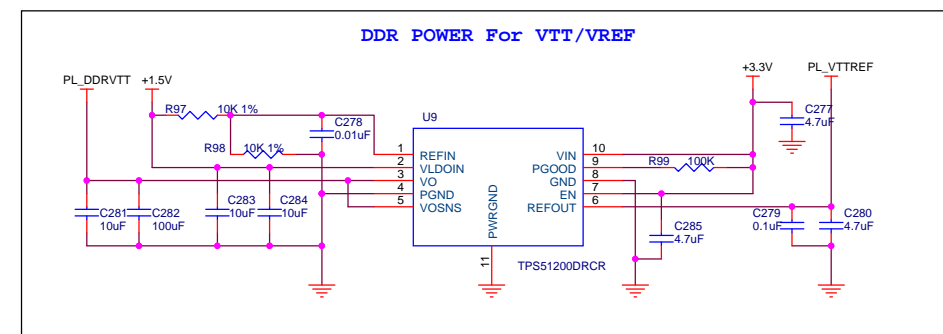
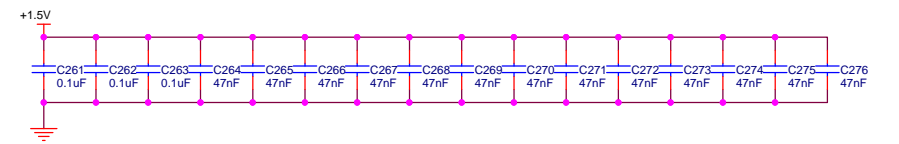
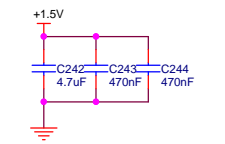
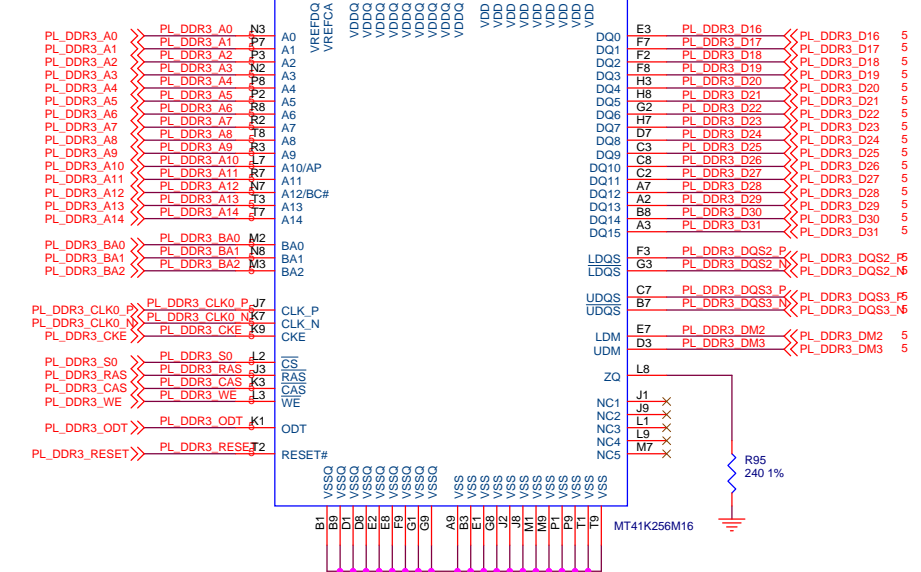
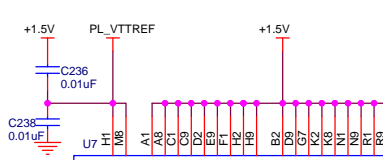
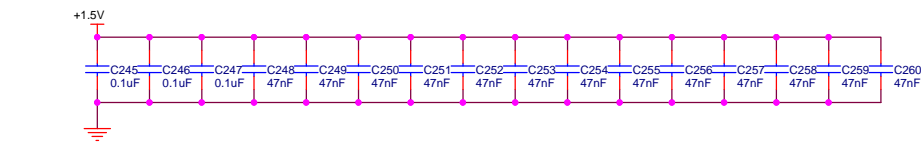
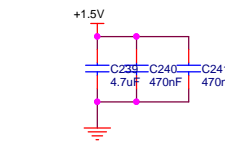
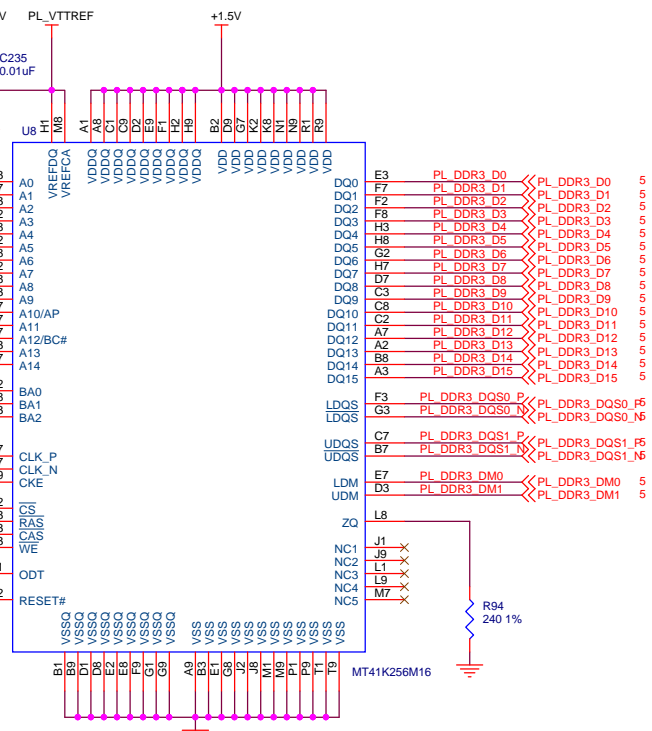
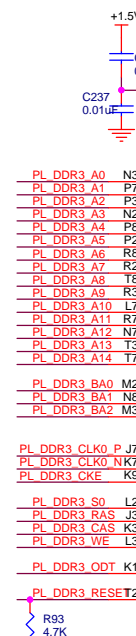
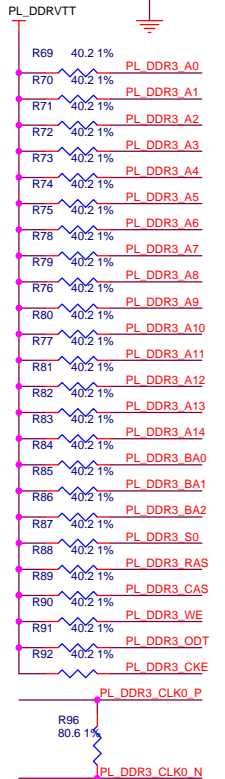
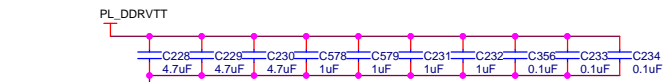
Size: Document Number: **AC7Z035B SOM Schematic** Rev: 1.0

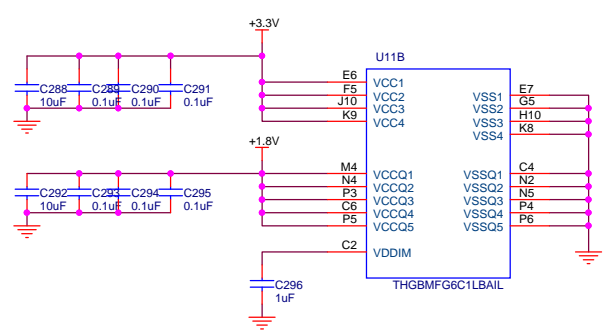
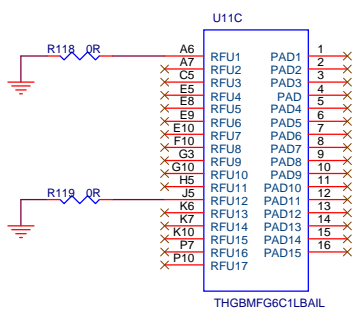
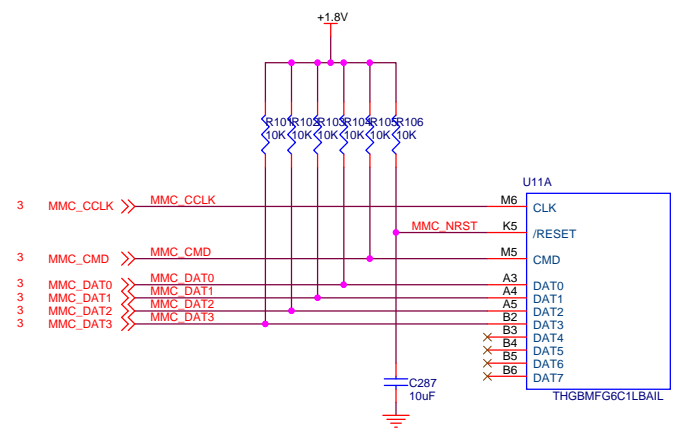
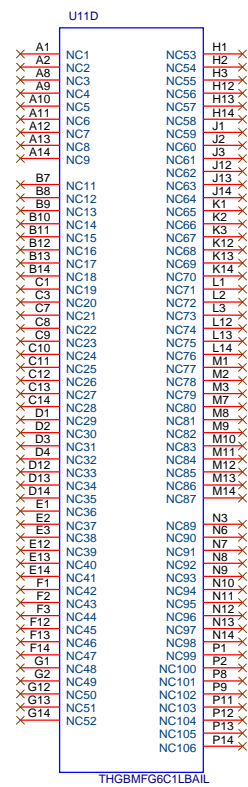
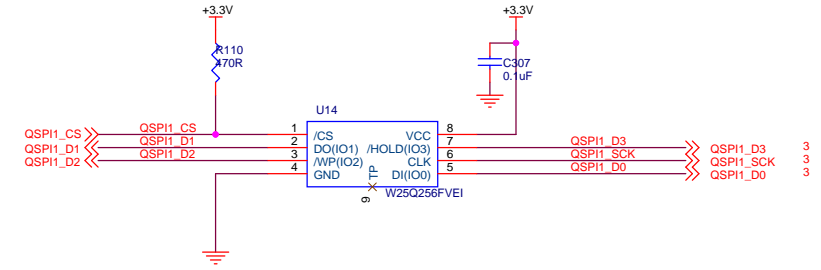
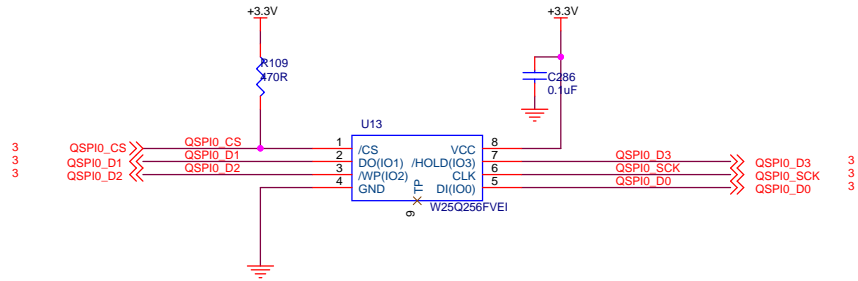
Date: Friday, November 09, 2018 Sheet: 8 of 18





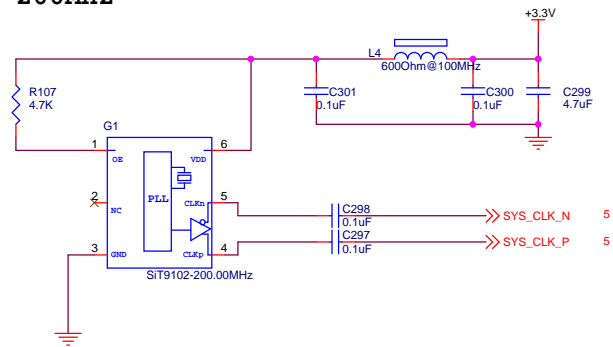






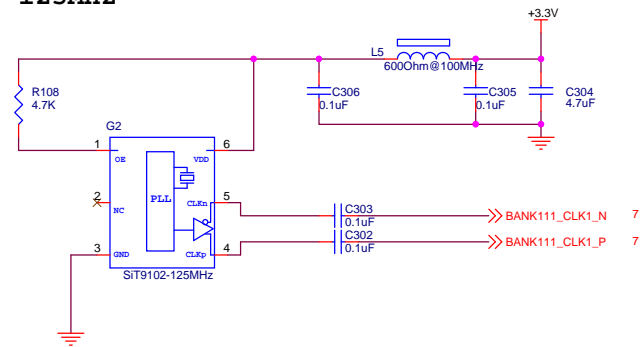
## SYSTEM CLOCK

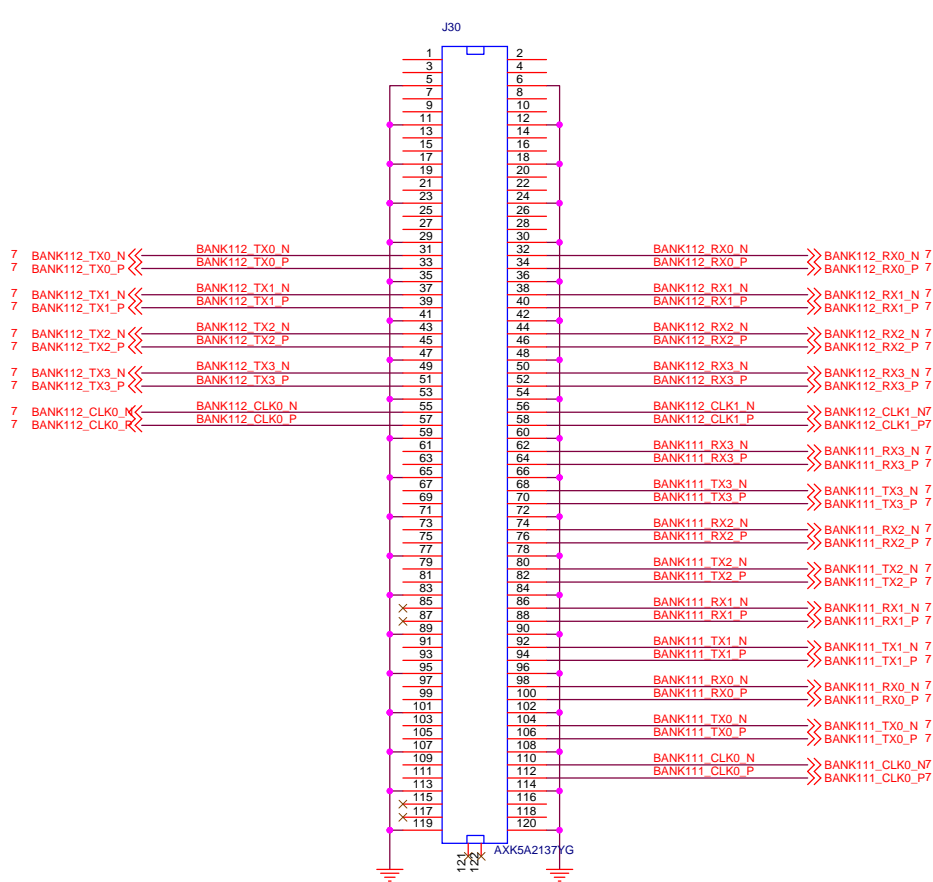
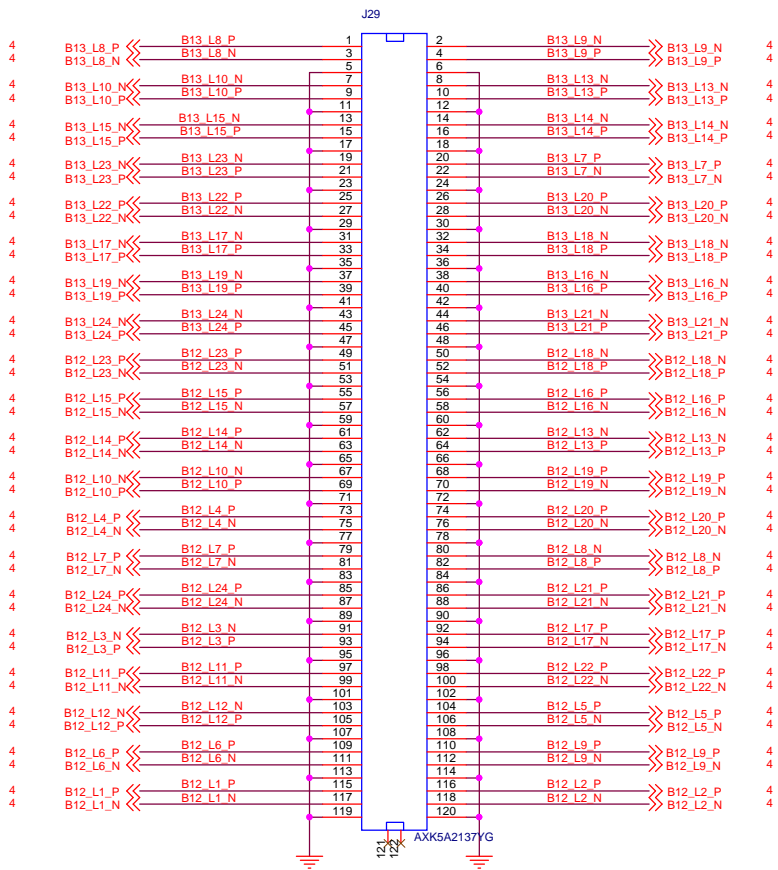
200MHz

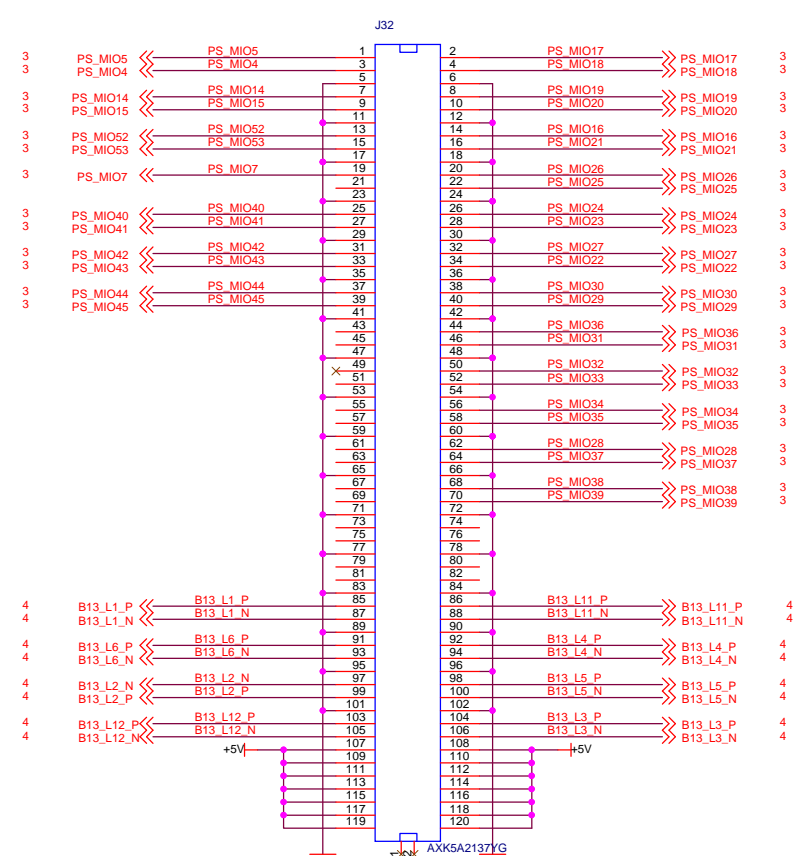
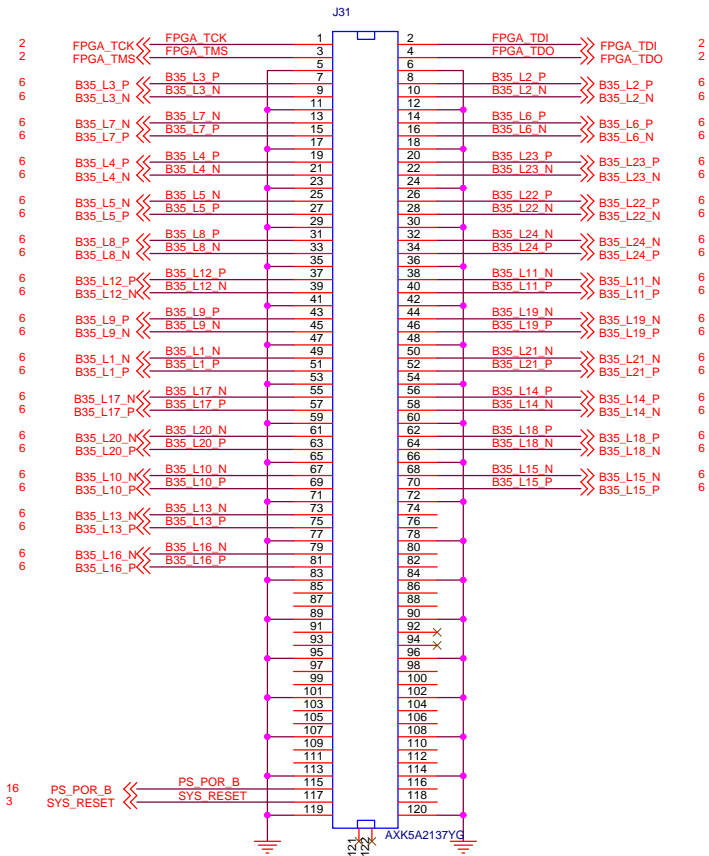


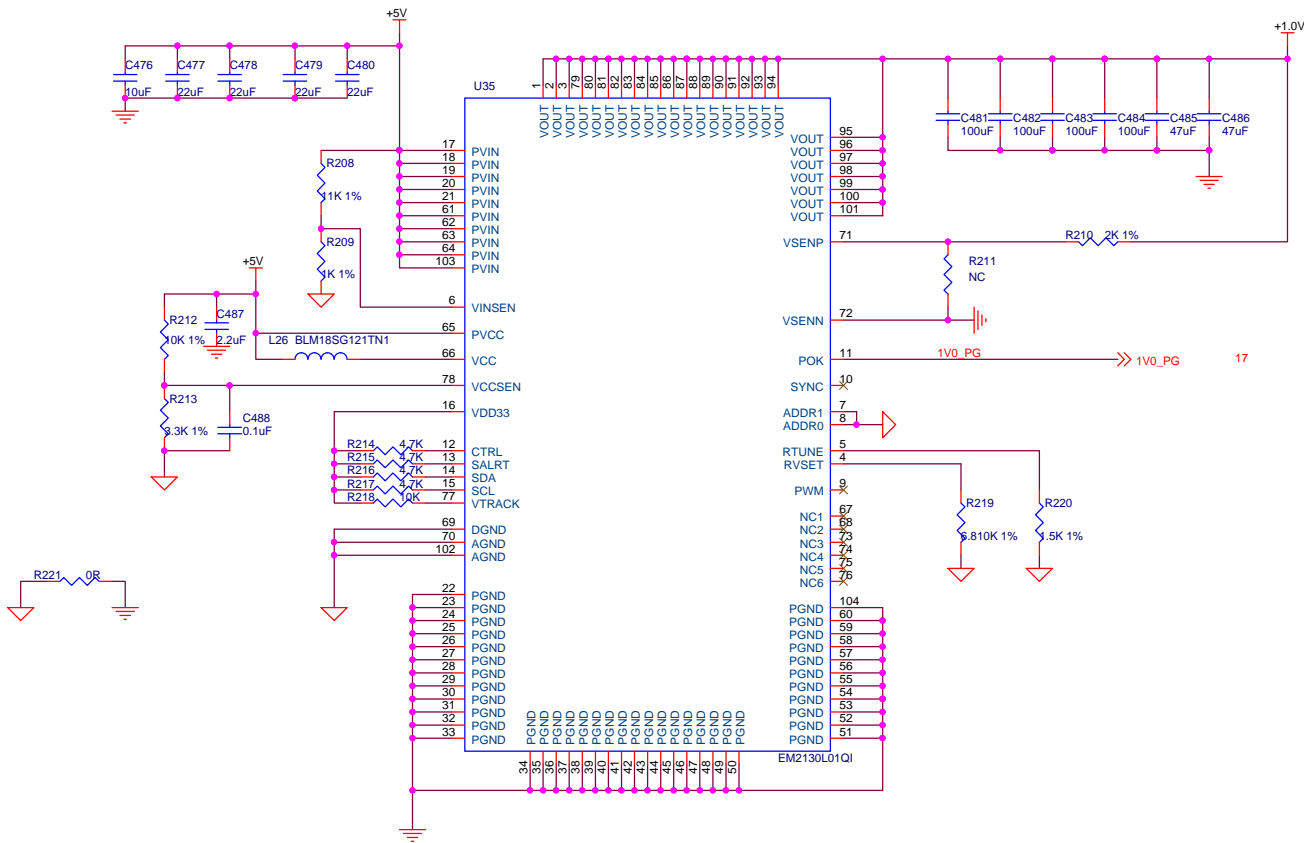
## 125MHz GTX CLOCK

125MHz

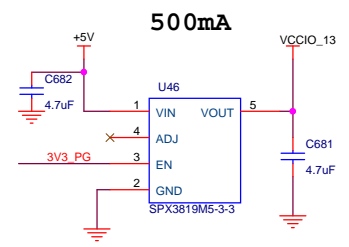
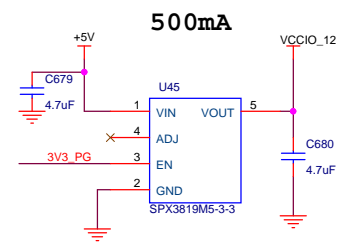
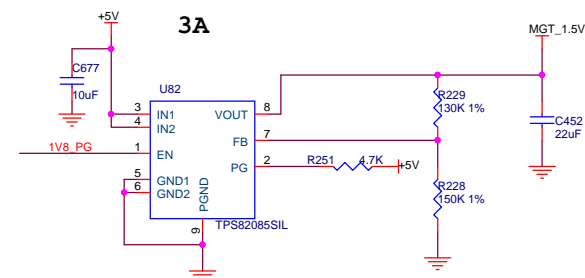
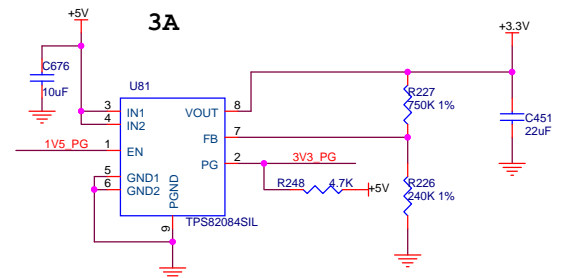
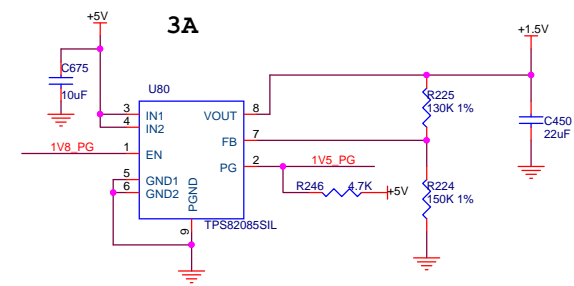
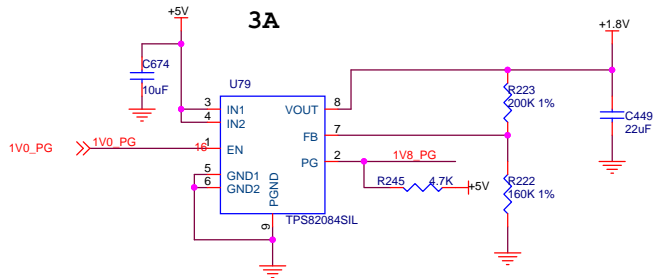


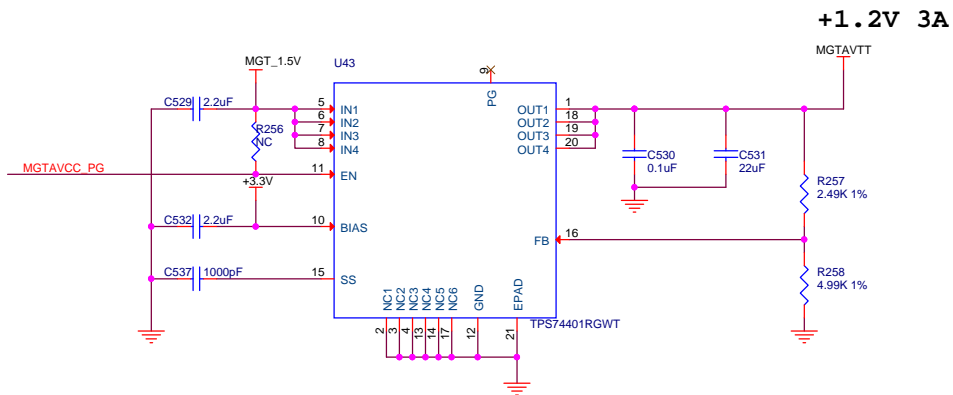
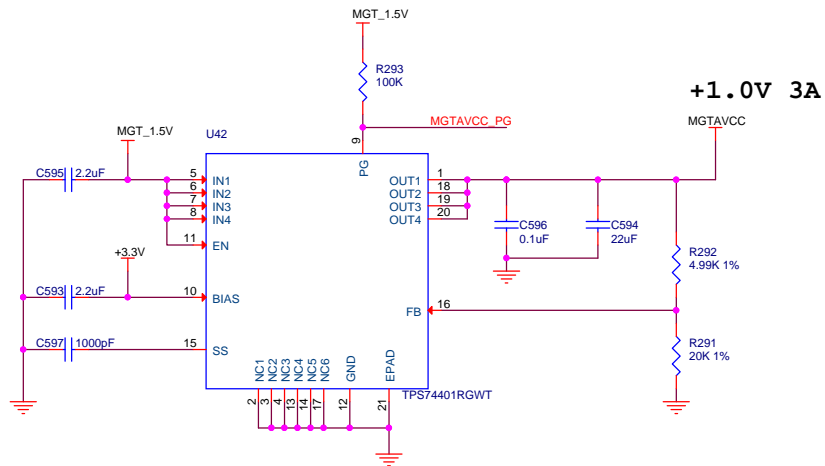
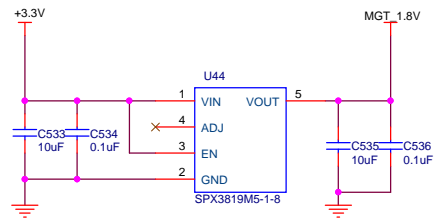












$$V_{out} = 0.8 \times (1 + R1/R2)$$