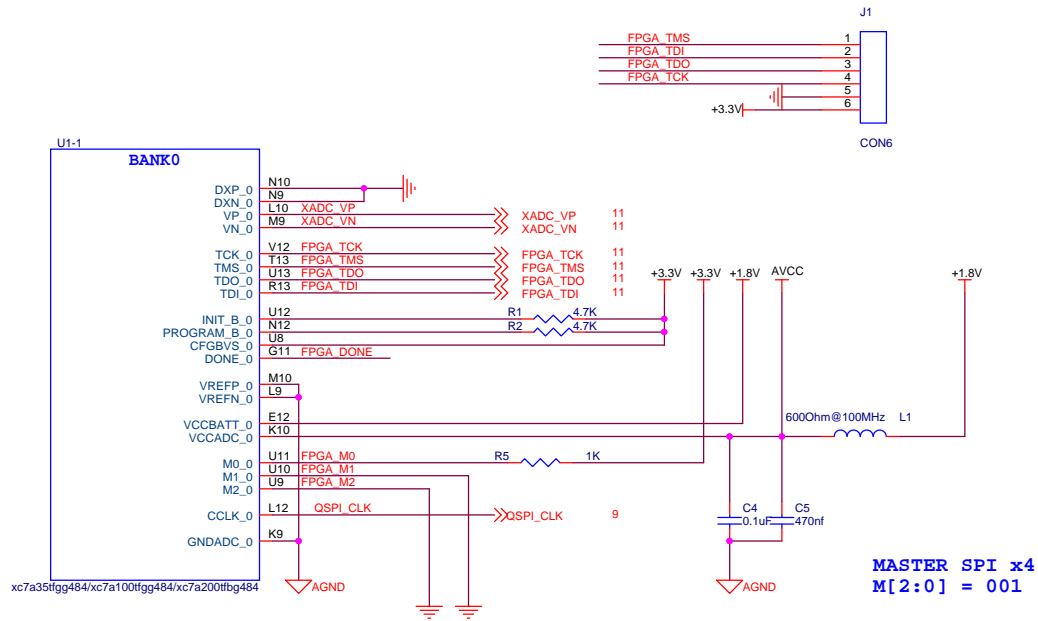
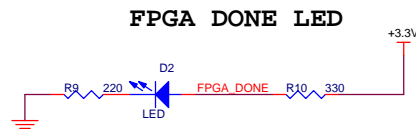
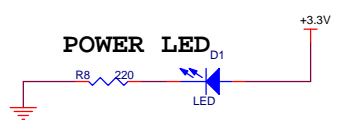
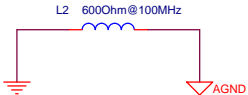


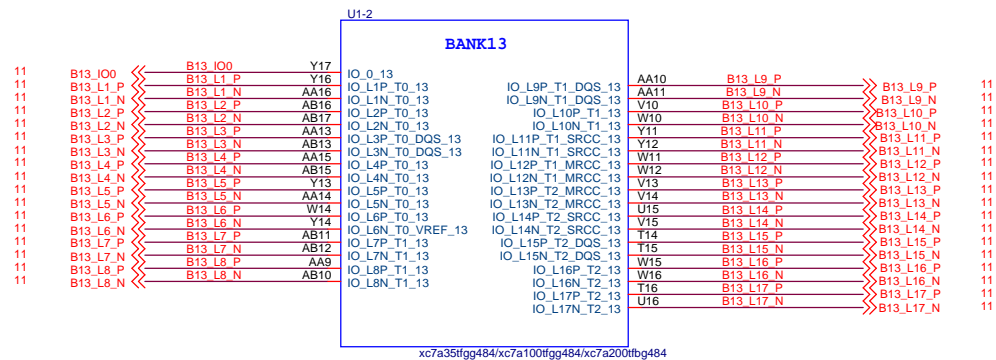
- **FPGA**
- **Flash/DDR**
- **Connector**
- **Others**



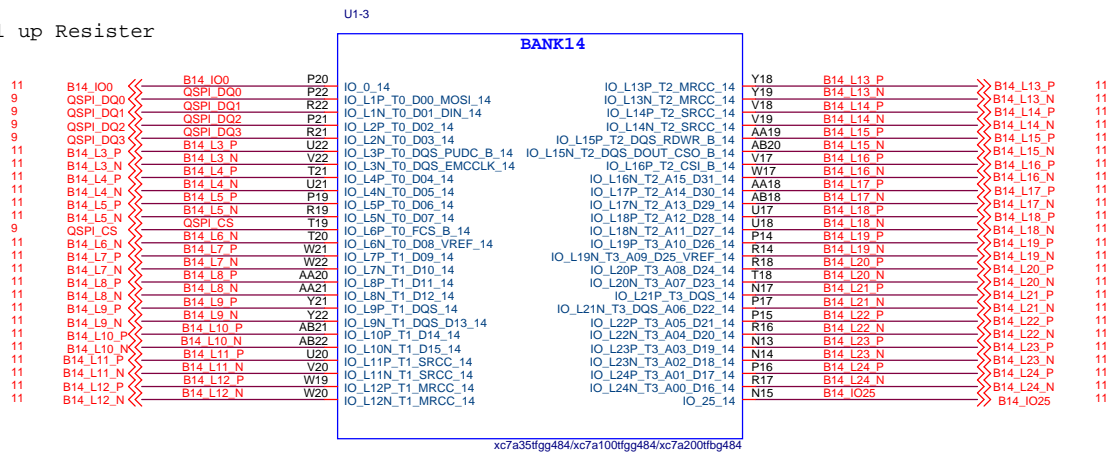
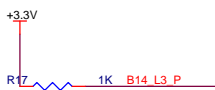
MASTER SPI x4  
M[2:0] = 001

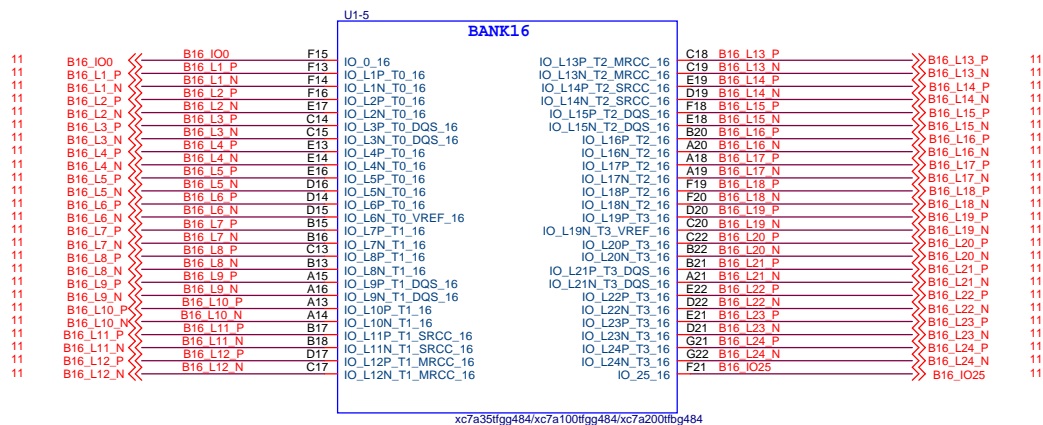
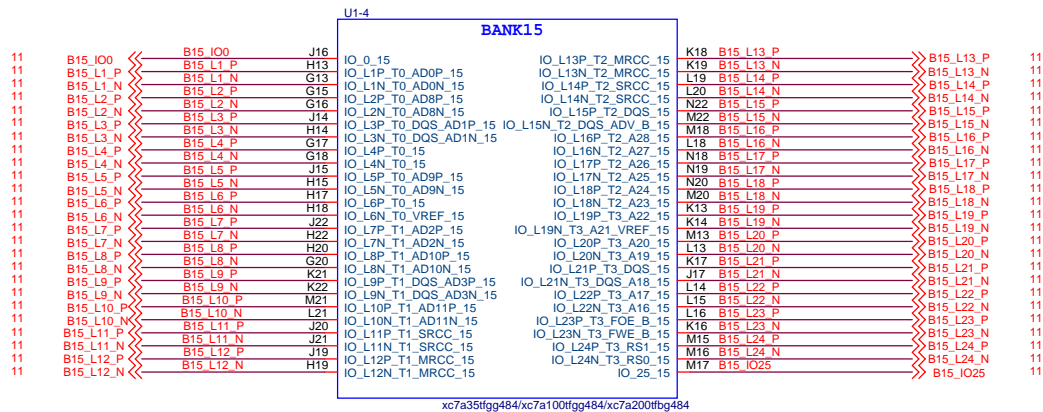


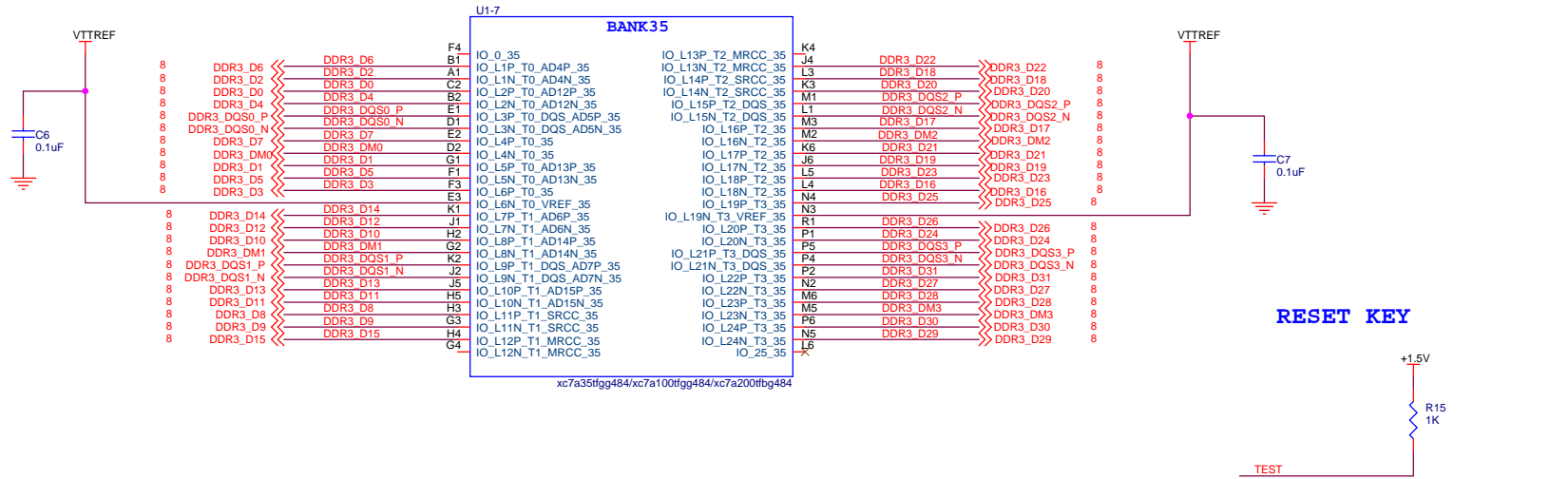
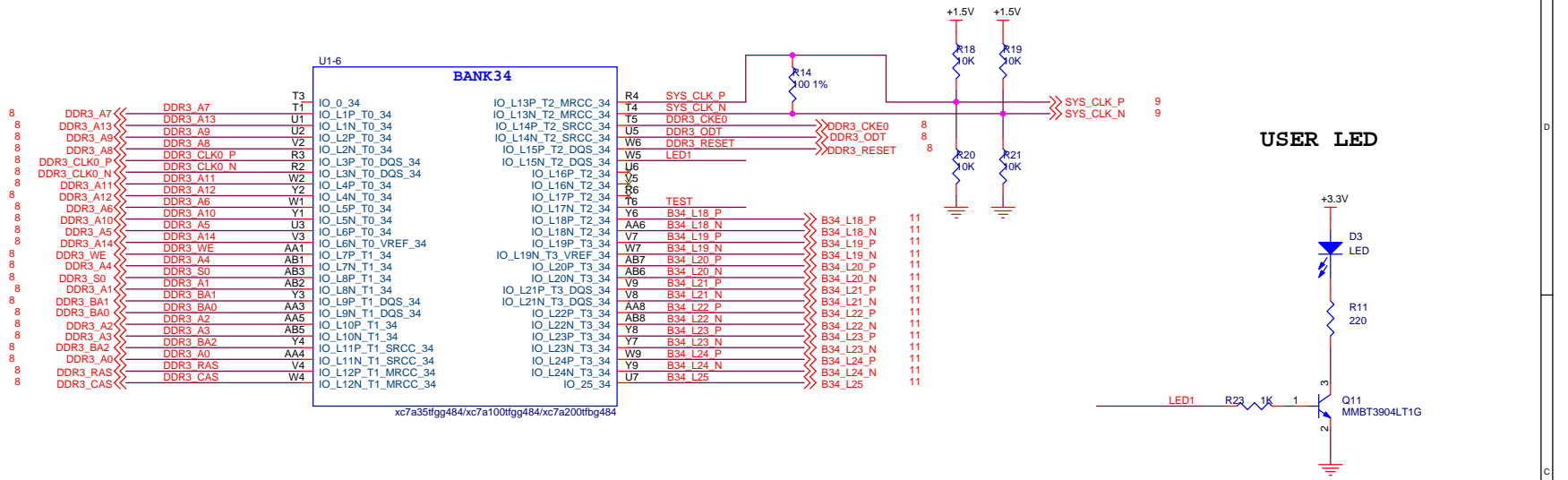
**BANK13 is not exist in xc7a35T**



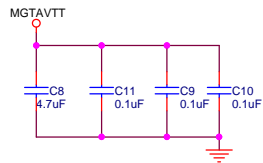
PUDC\_B=1: Deactive internal Pull up Resister



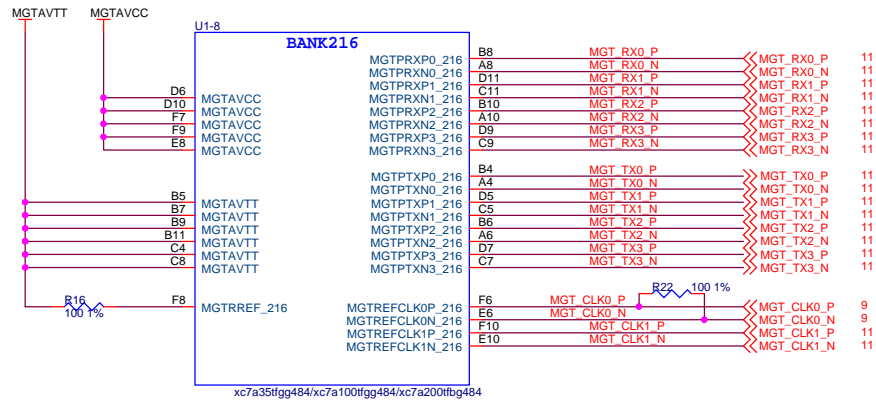
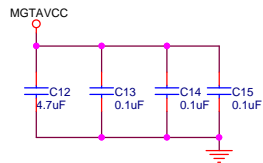


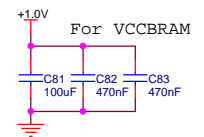
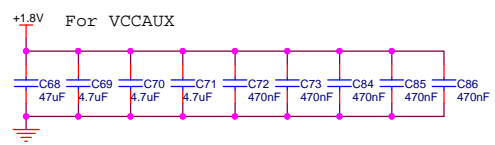
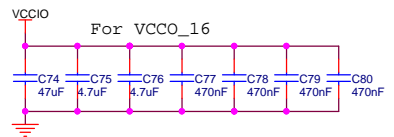
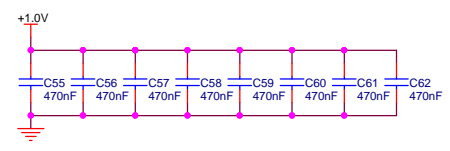
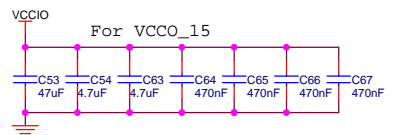
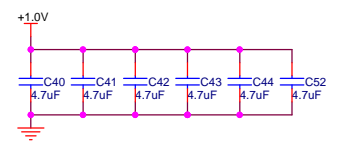
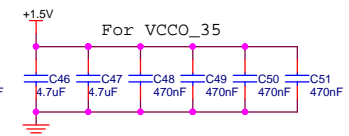
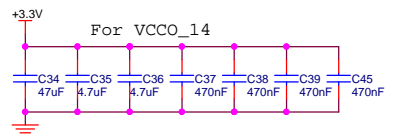
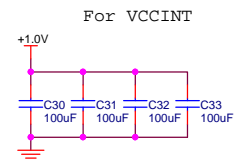
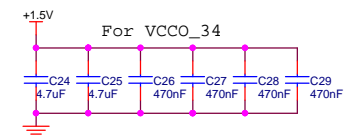
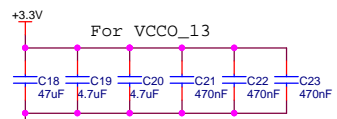
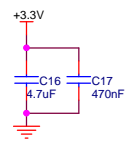
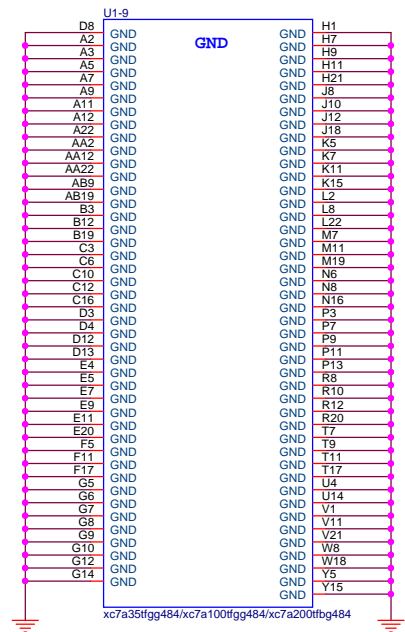
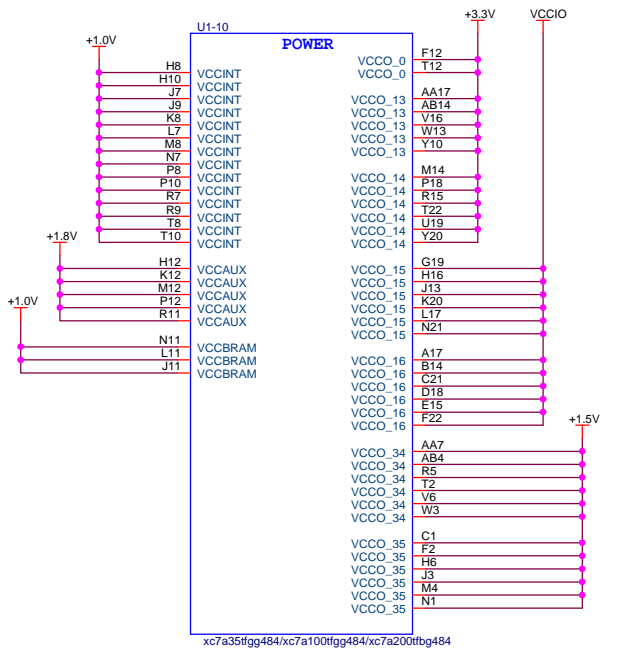


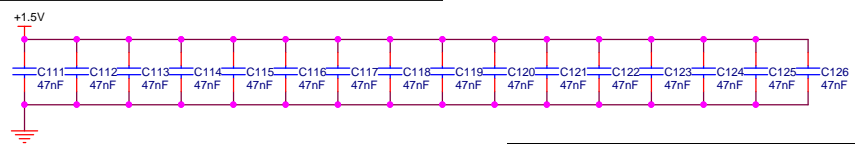
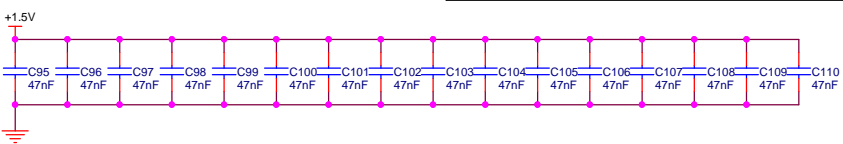
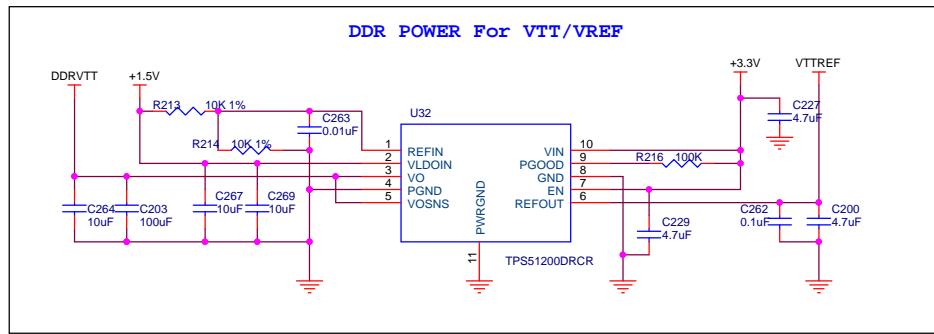
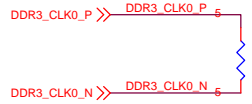
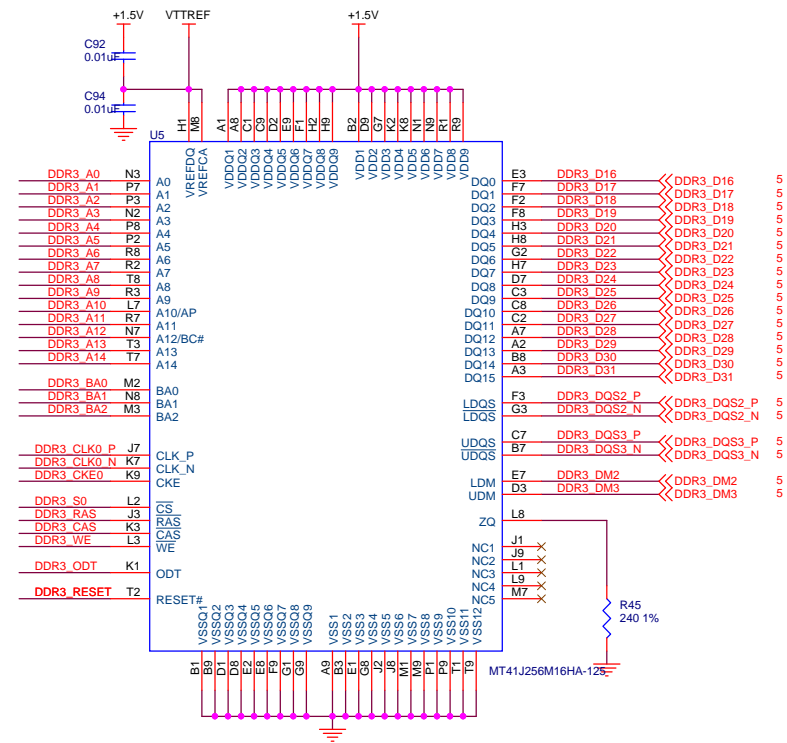
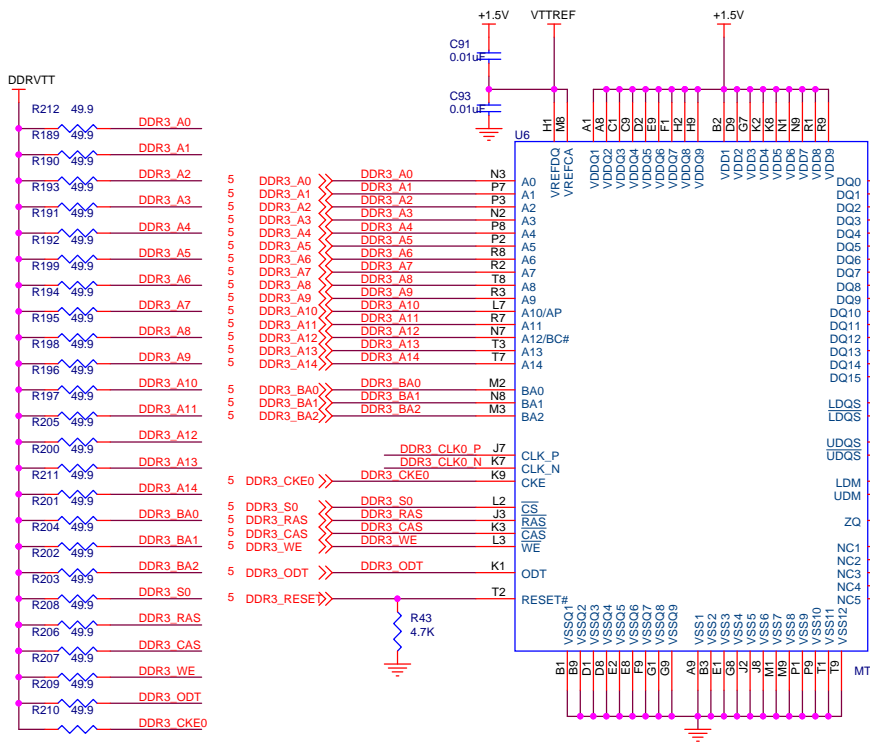
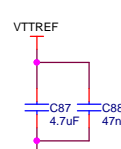
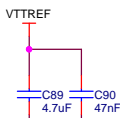
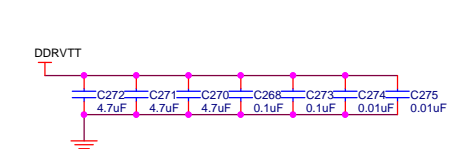
MGTAVTT 4.7uF(1) 0.1uF(2)



MGTAVCC 4.7uF(1) 0.1uF(2)

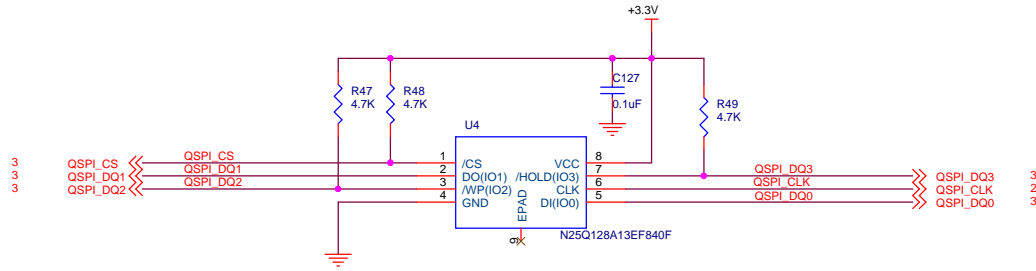






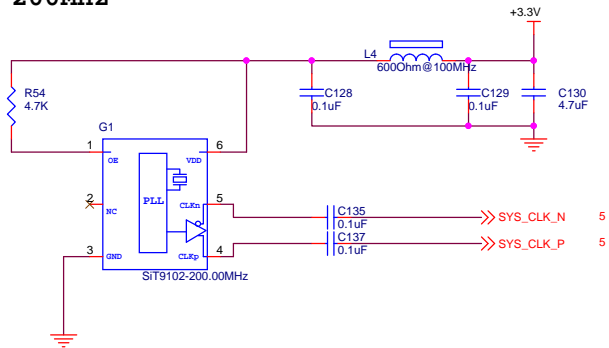


## FPGA CONFIG SPI



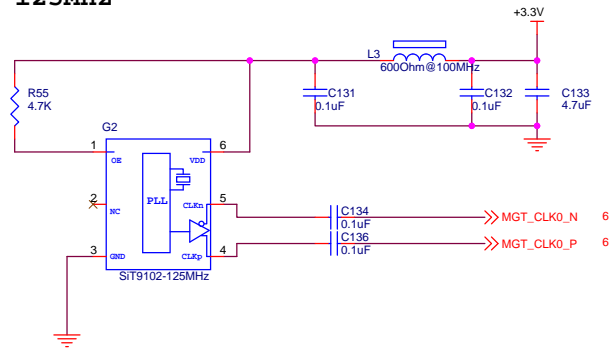
## SYSTEM CLOCK

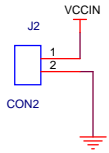
200MHz



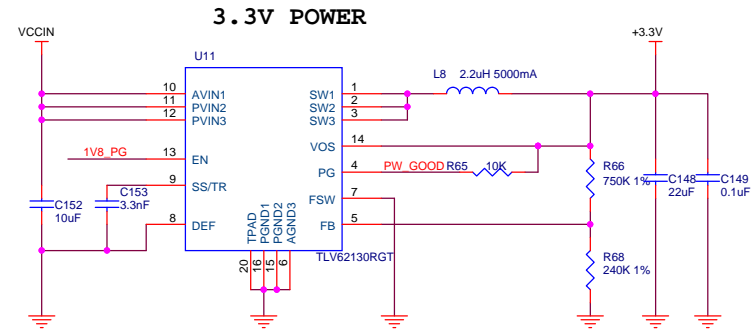
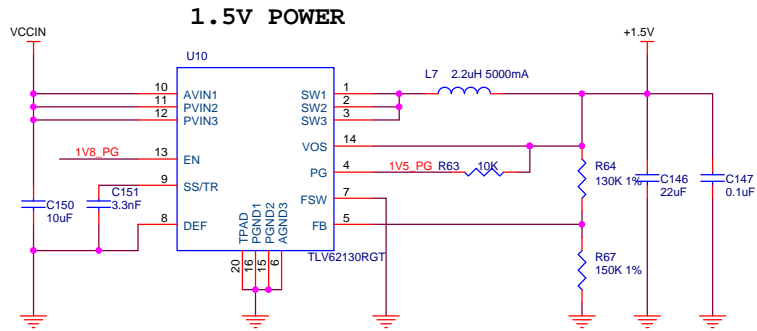
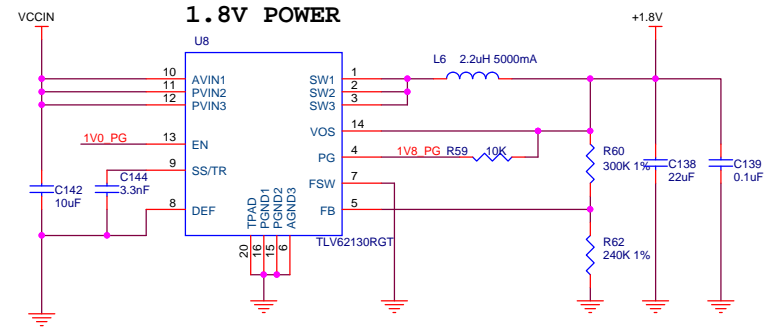
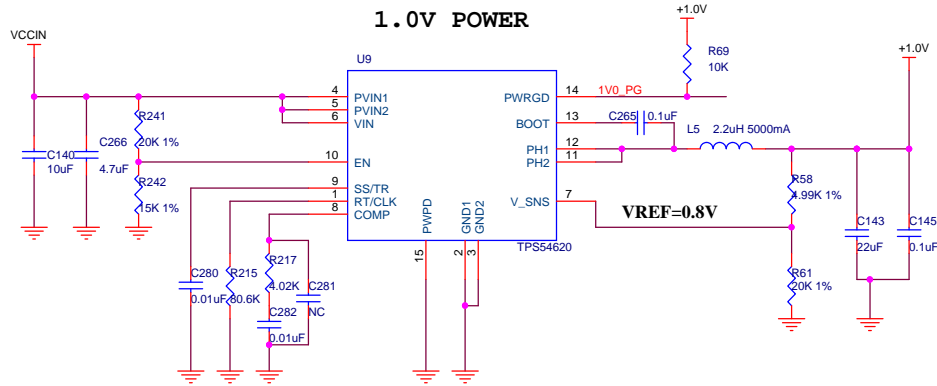
## GTP CLOCK

125MHz

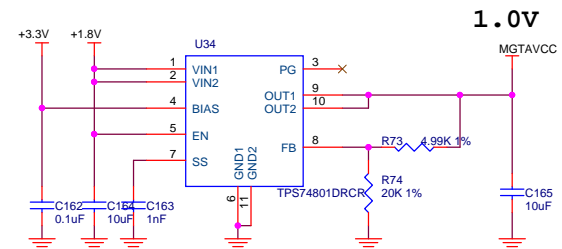
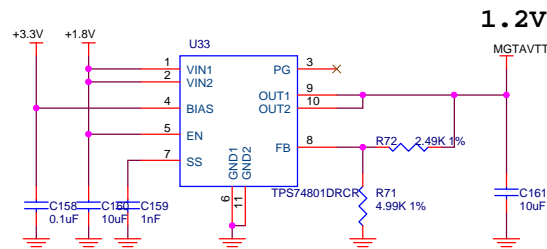
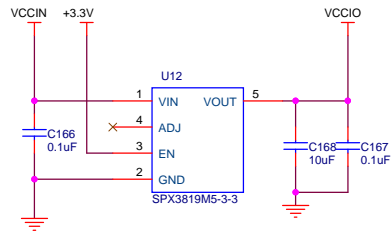




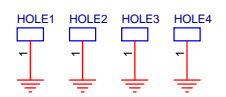
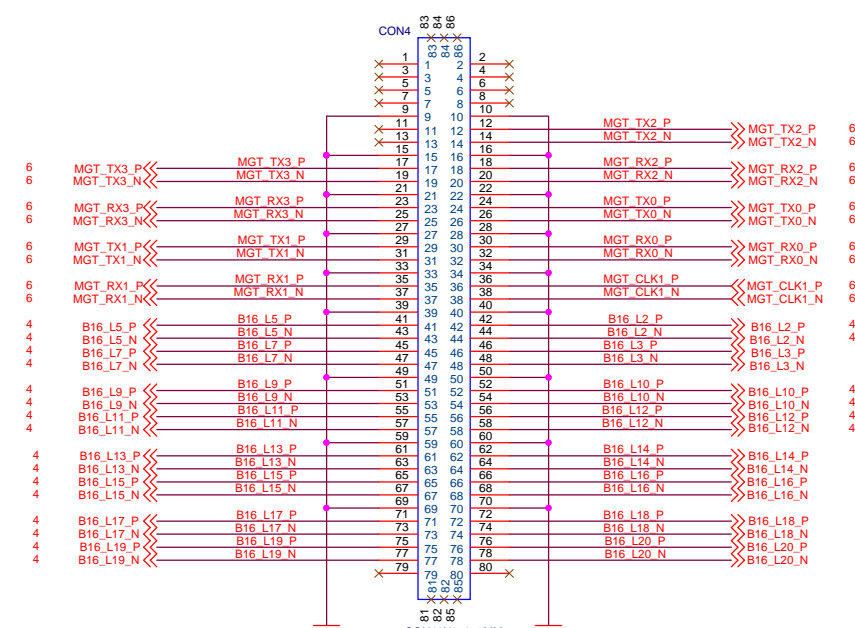
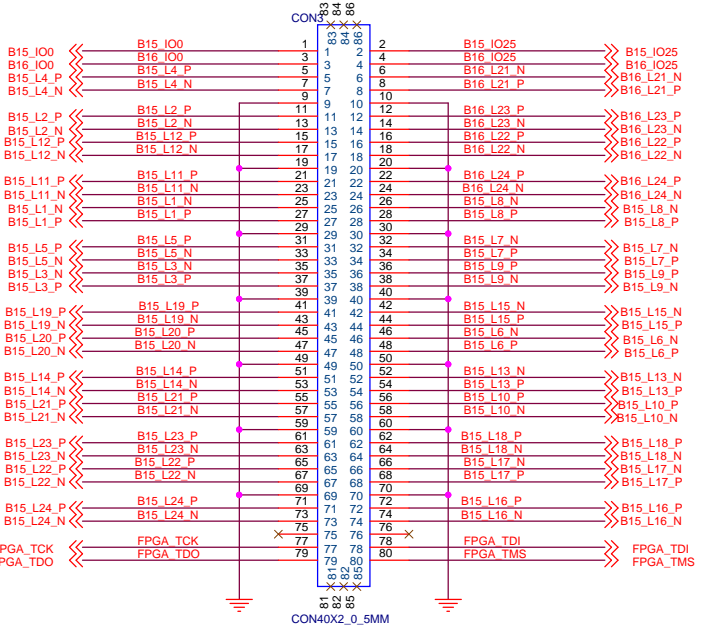
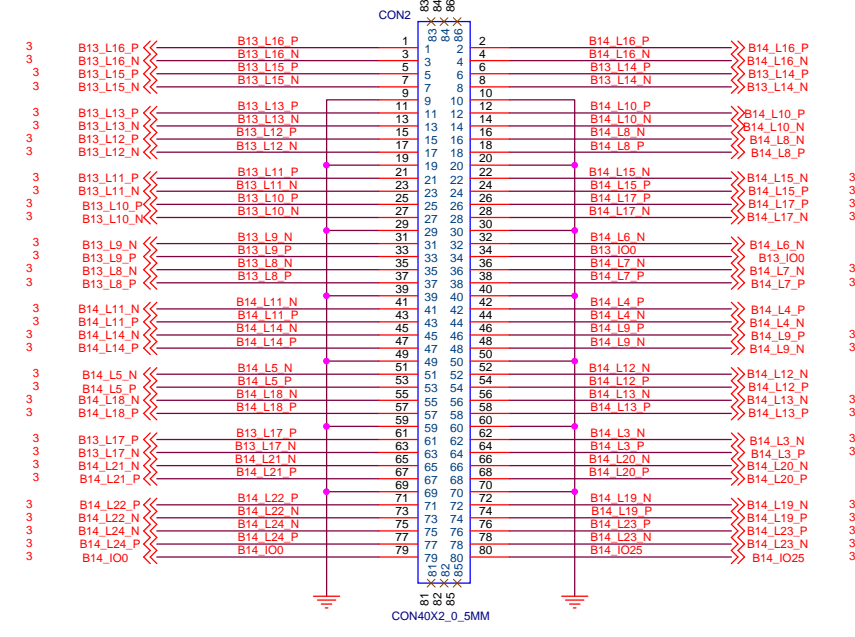
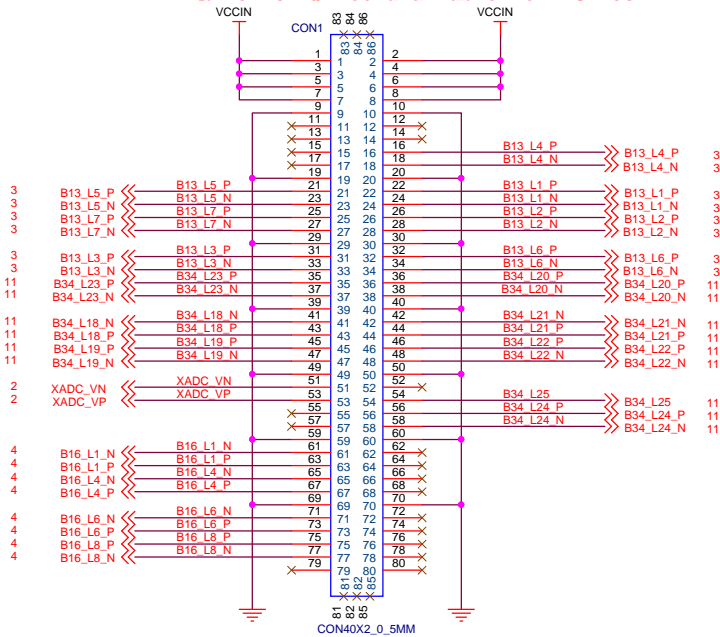
POWER ON: VCCINT(1.0V)->VCCBRAM(1.0V)->VCCAUX-(1.8V)>VCCO(1.5V and 3.3V)



POWER ON: VCCINT(1.0V)->VMGTAVCC(1.0V)->VMGTAVTT(1.2V)



These IOs are on BANK34, Voltage is 1.5V!!!  
BANK13 IO is not available for XC7A35T



ALINX Confidential

ALINX www.alinx.com

Title PAGE11 Connector

Size Document Number

Date: Friday, October 11, 2019

Sheet 11 of 11

Rev AC7A035 Schematic