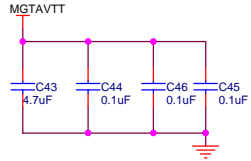
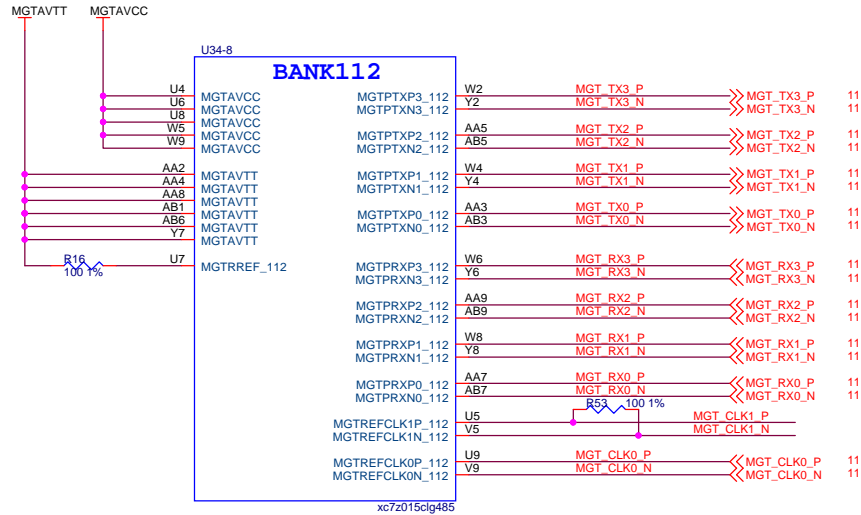
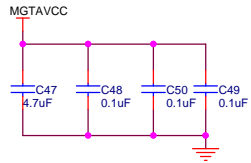


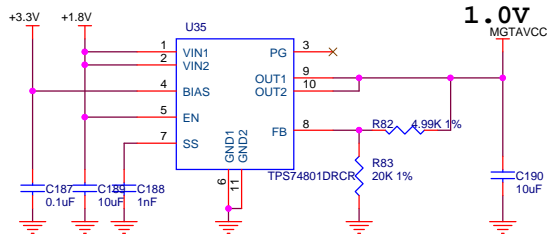
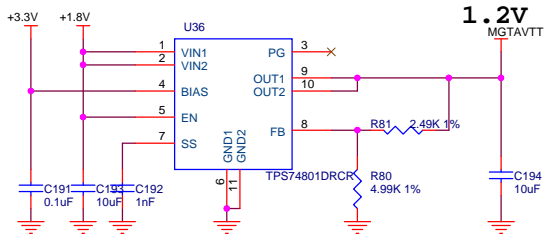
MGTAVTT 4.7uF(1) 0.1uF(2)



MGTAVCC 4.7uF(1) 0.1uF(2)

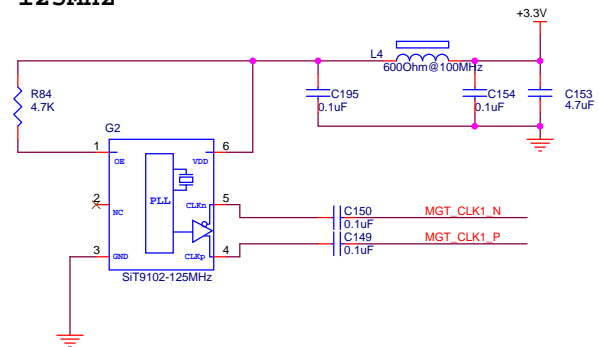


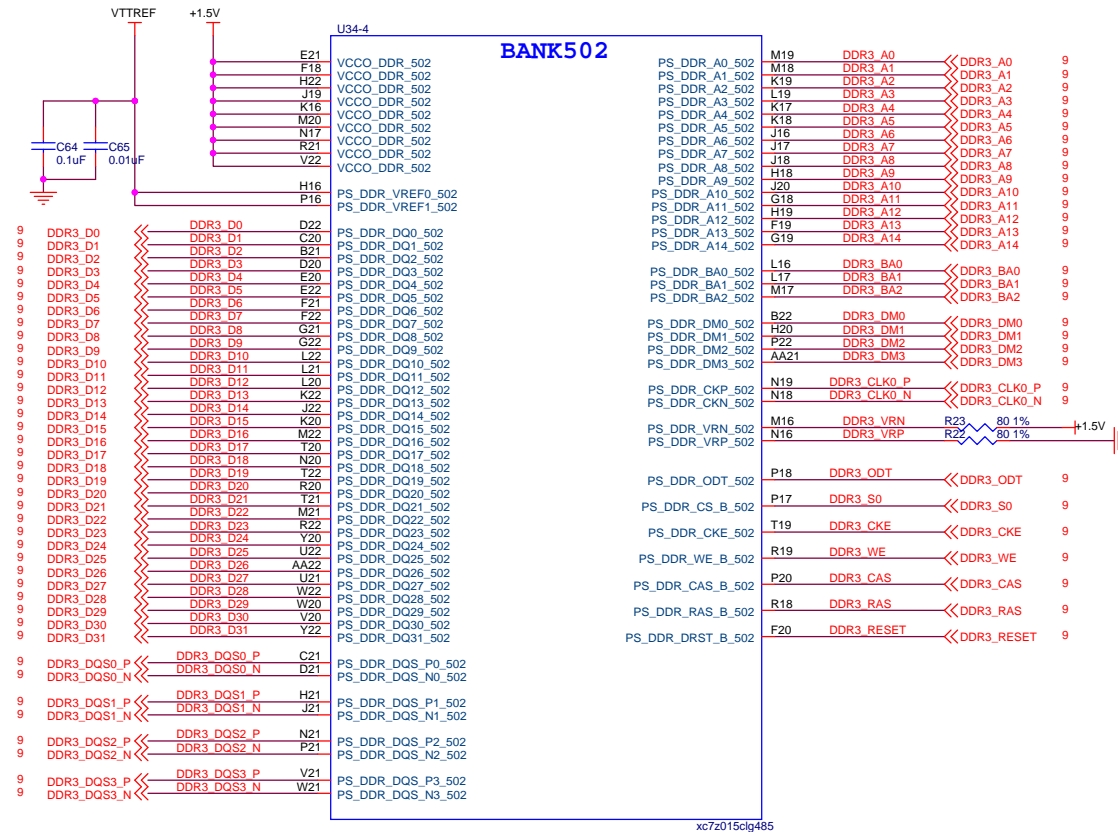
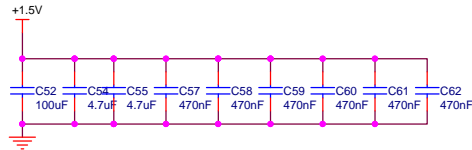
POWER ON: VCCINT(1.0V) -> VMGTAVCC(1.0V) -> VMGTAVTT(1.2V)



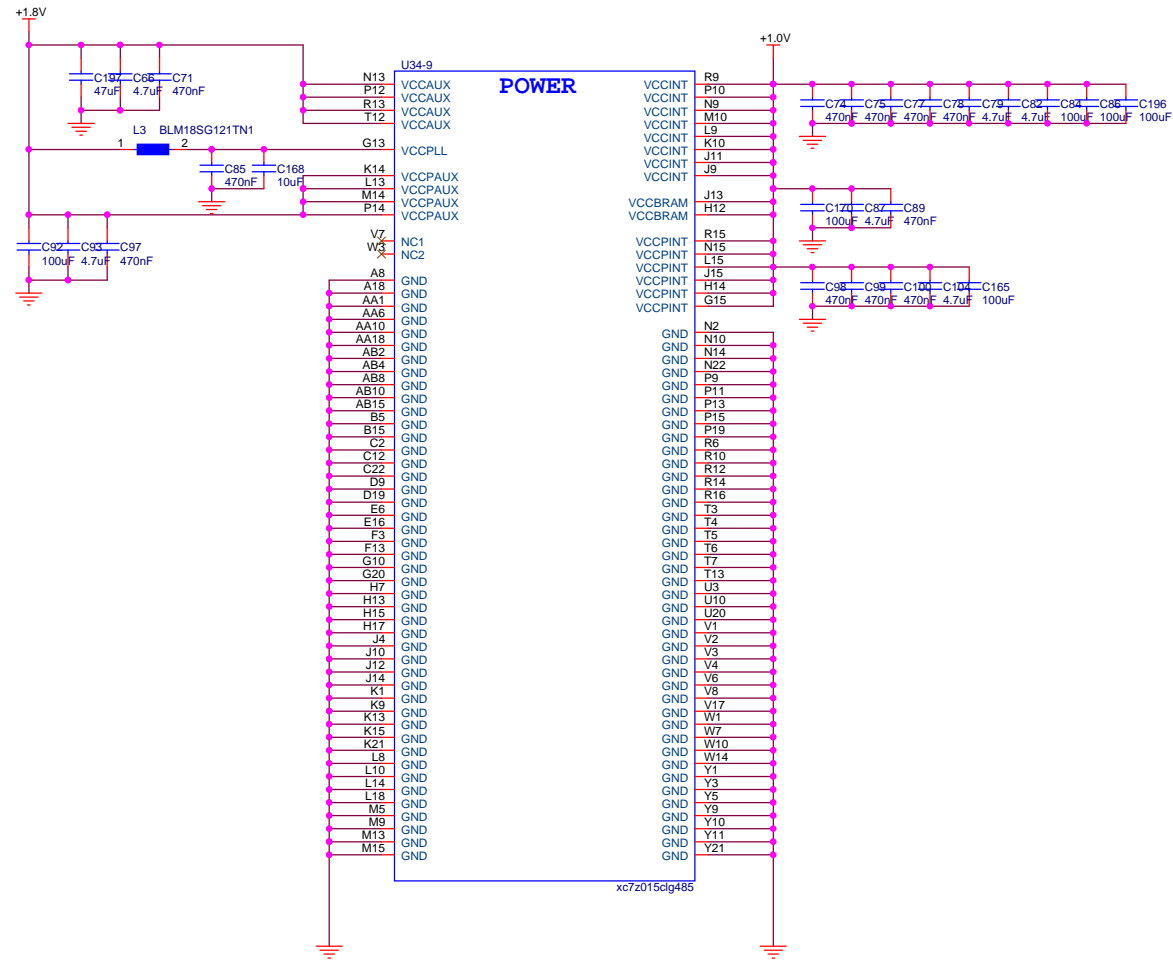
GTP CLOCK

125MHz





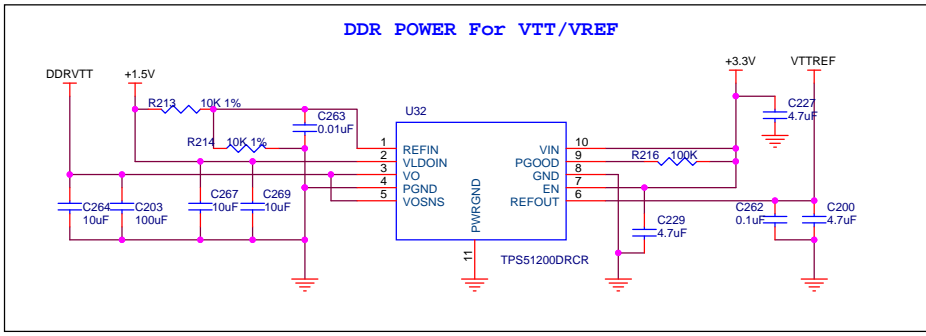
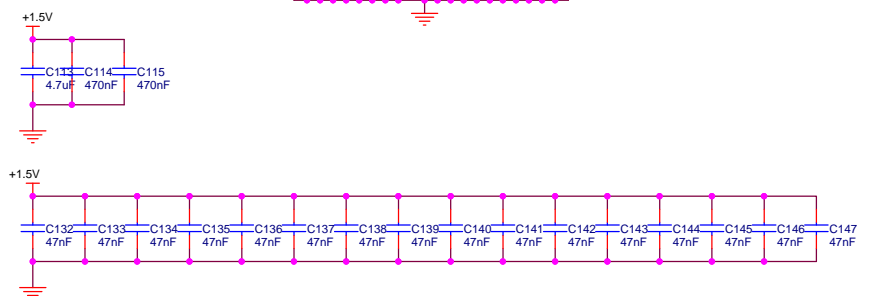
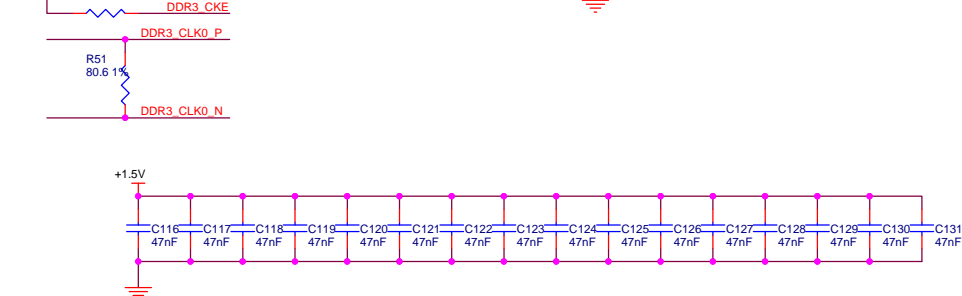
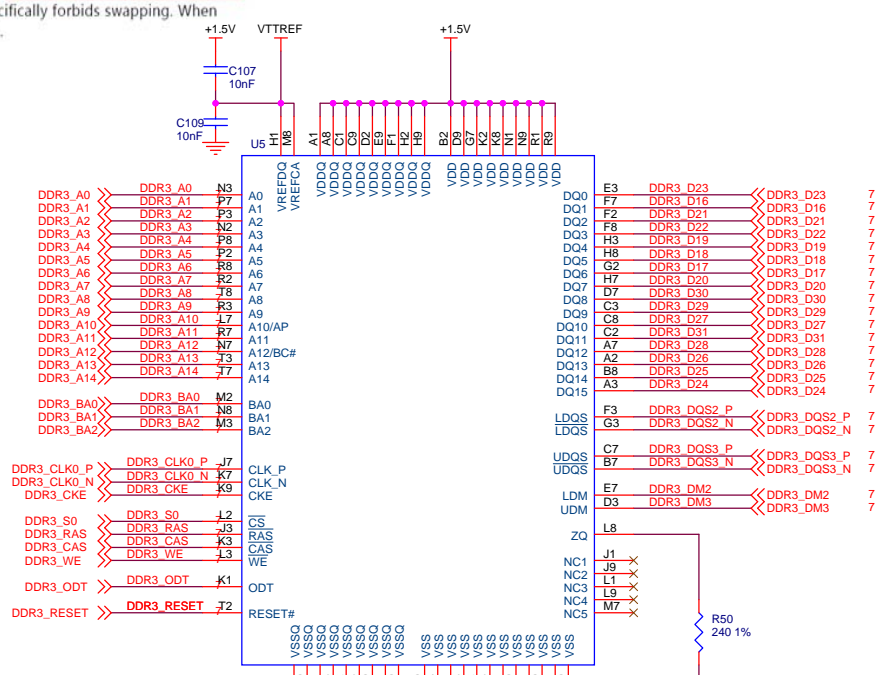
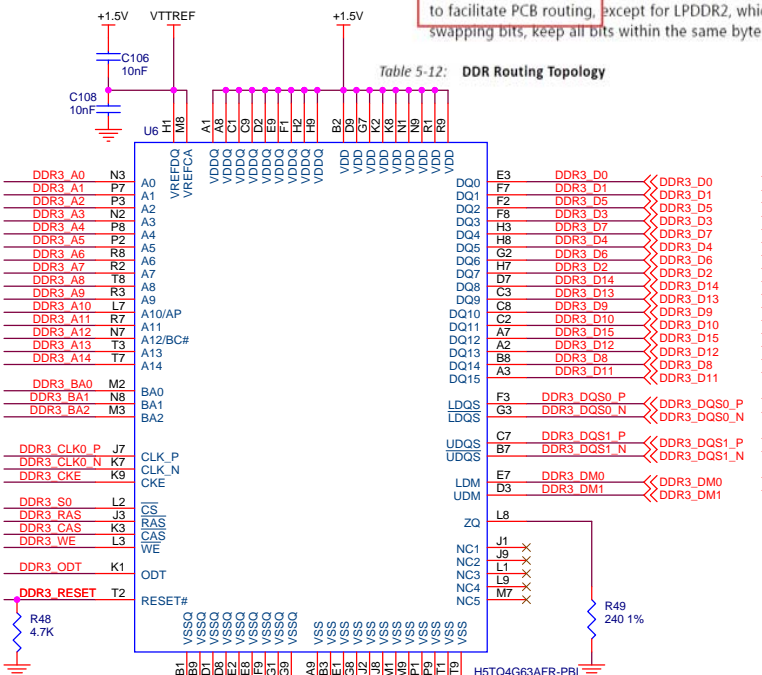
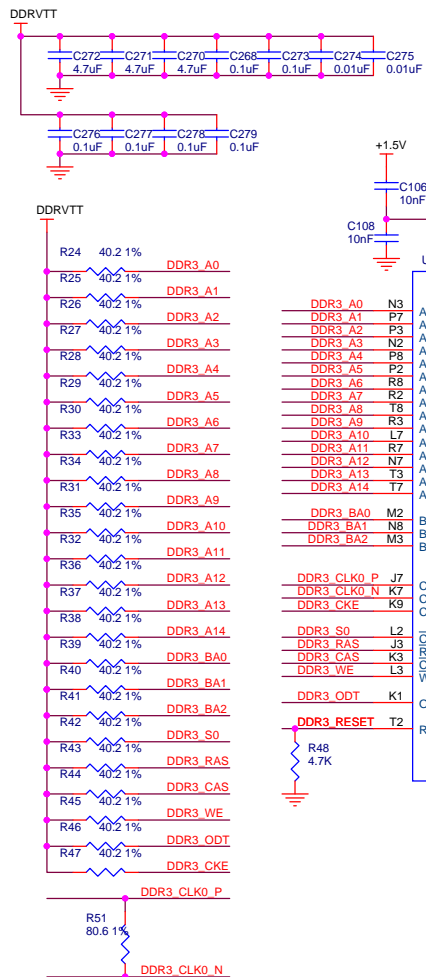
xc7z015clg485

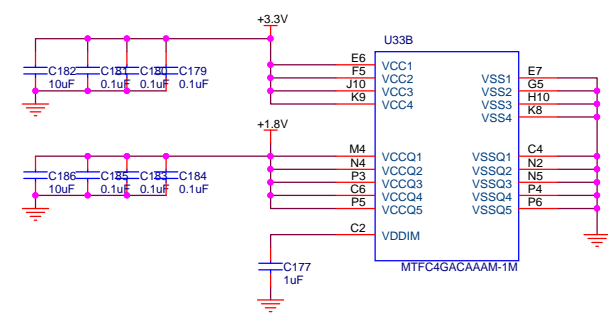
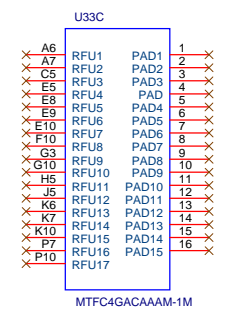
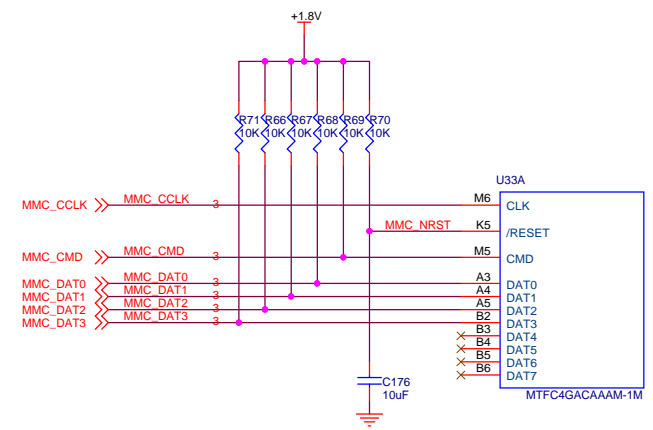
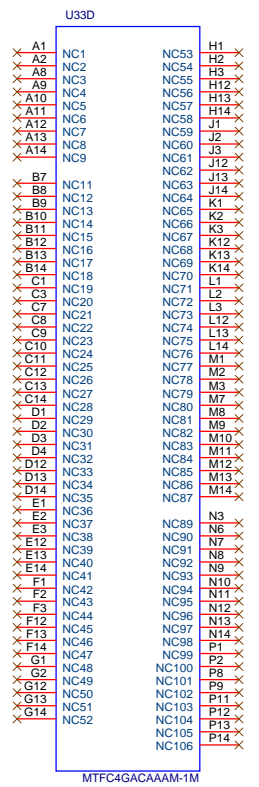
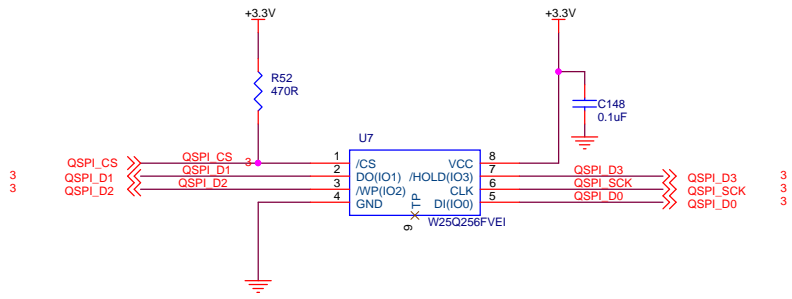


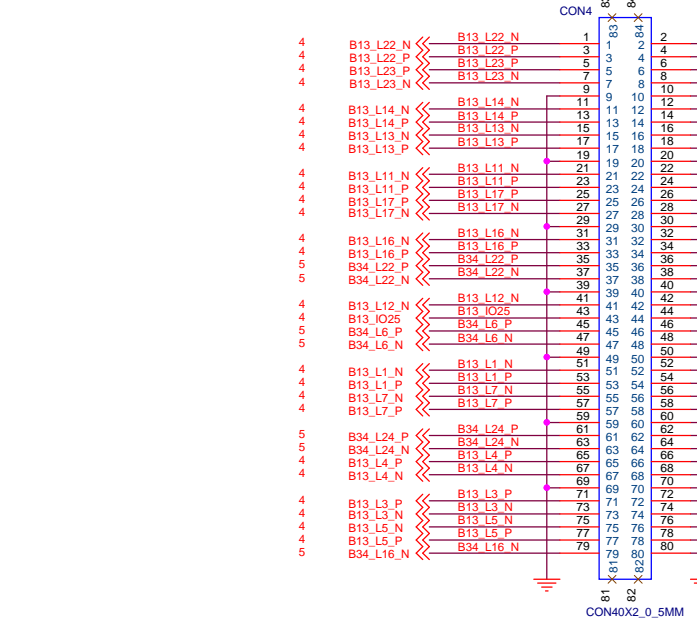
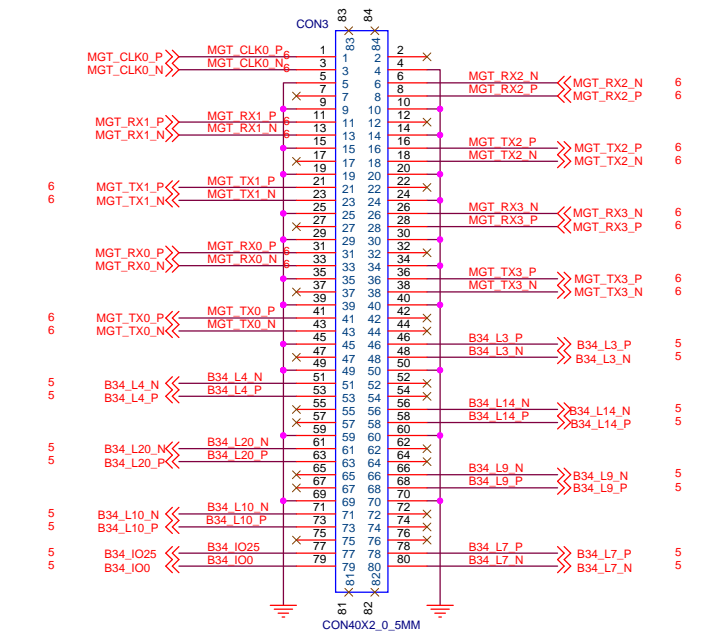
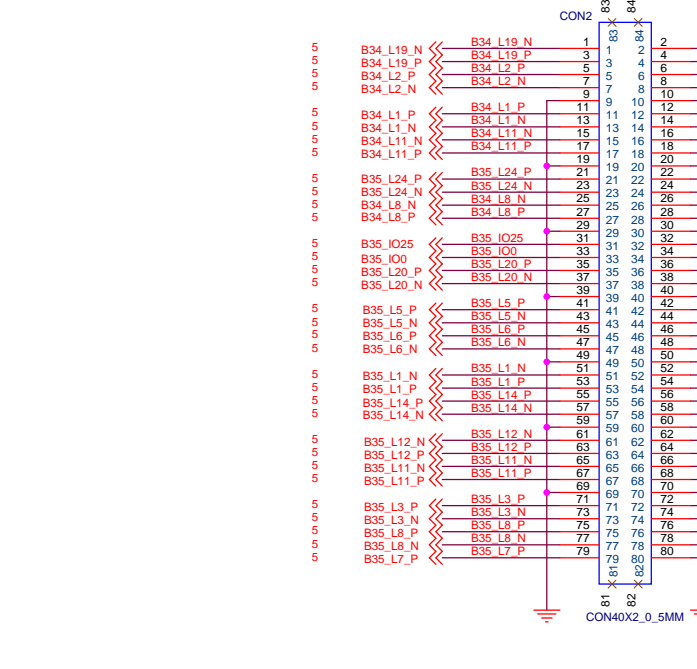
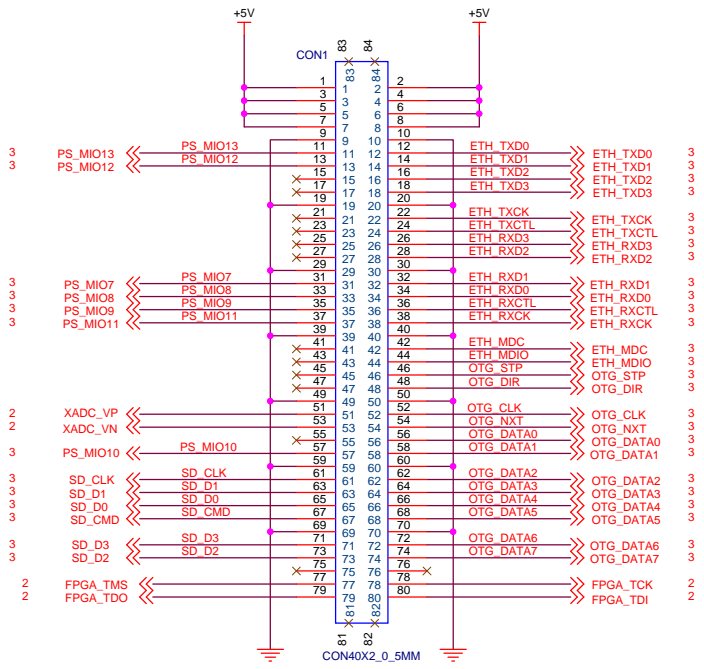
为了PCB走线方便, DDR3数据组内(DQS除外)可以任意交换。
XILINX 的UG933文档的PAGE66有以下说明:



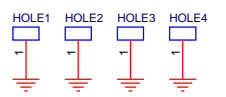
Table 5-12 shows the recommended routing topologies. **Byte and bit swapping is allowed** to facilitate PCB routing, except for LPDDR2, which specifically forbids swapping. When swapping bits, keep all bits within the same byte group.







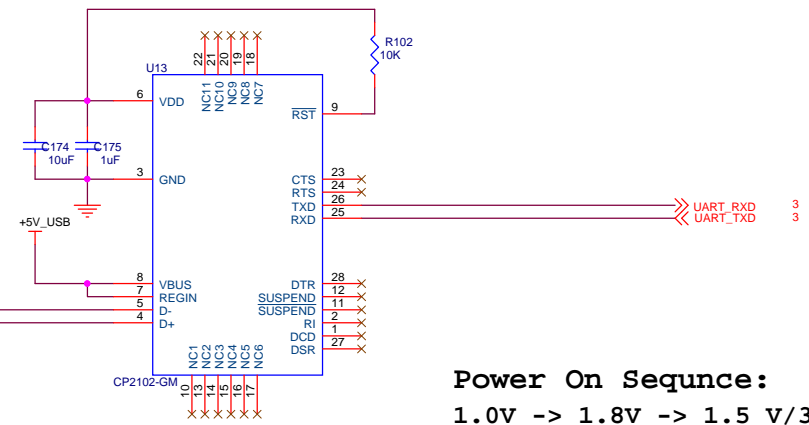
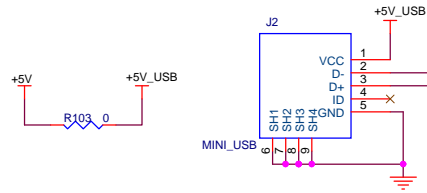
BANK35 IO Voltage is adjustable



ALINX Confidential

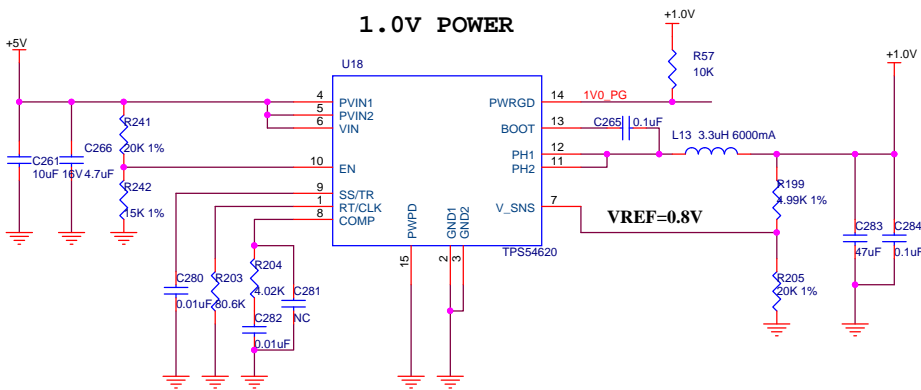
ALINX		www.alinx.com
Title AC7015 CONNECTOR		
Size	Document Number	Rev
	AC7015B SOM Schematics	1.0
Date:	Thursday, September 26, 2019	Sheet 11 of 12

USB Uart

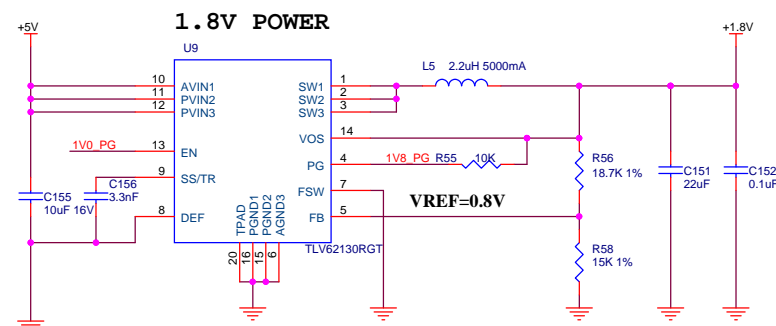


Power On Sequence:
1.0V -> 1.8V -> 1.5 V/3.3V -> VCCIO

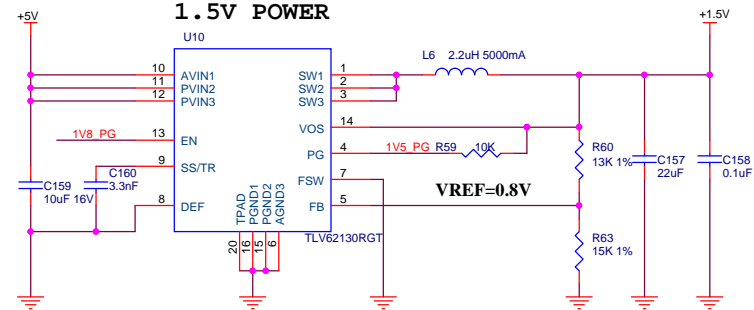
1.0V POWER



1.8V POWER



1.5V POWER



3.3V POWER

